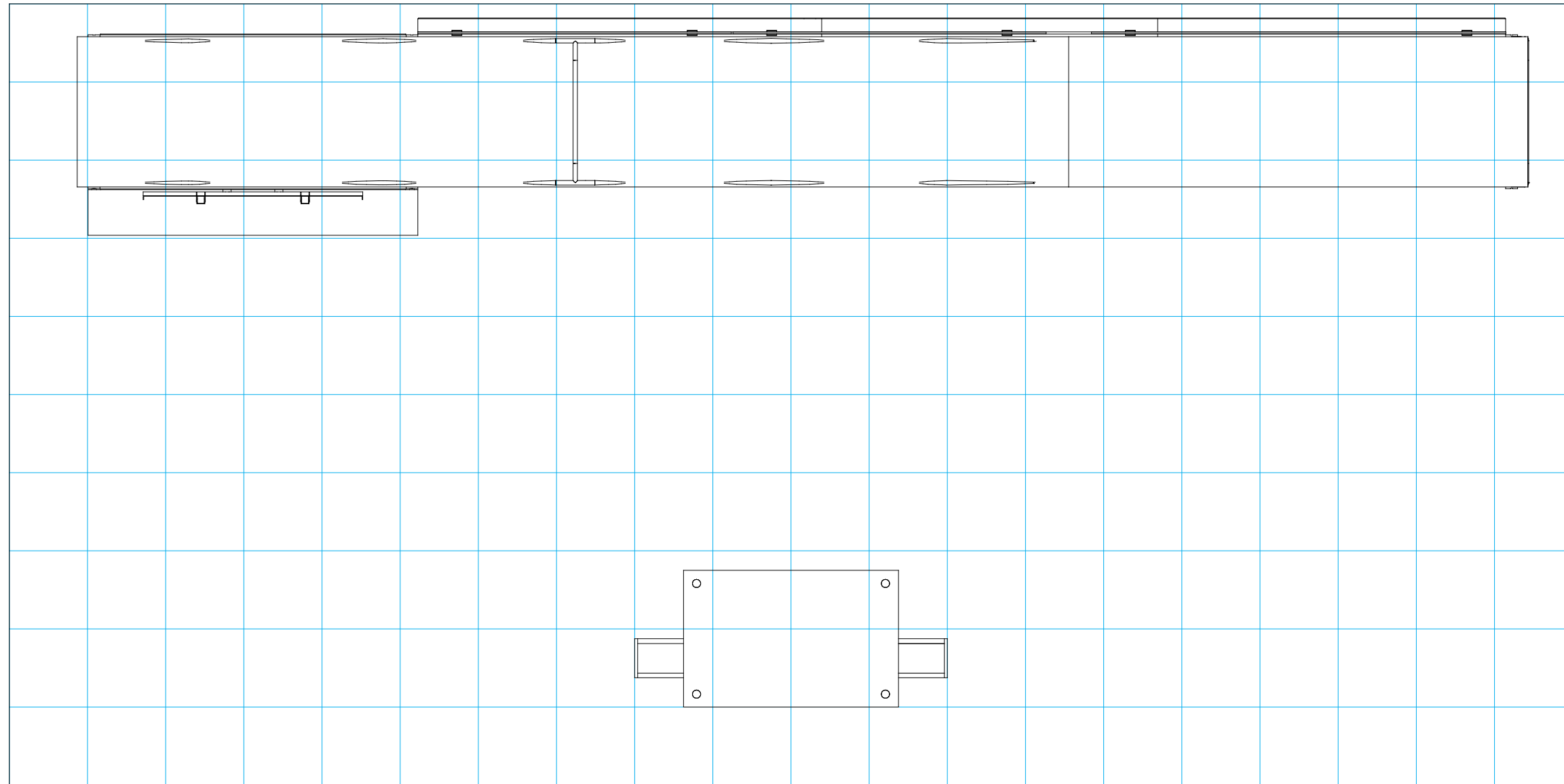



# ***SETUP INSTRUCTIONS***



 = 1 sq foot

## General Setup Instructions

- Read entire setup instruction manual prior to unpacking parts and pieces.
- The setup instructions are created specifically for this configuration.
- Setup instructions are laid out sequentially in steps, including exploded views with detailed explanation for assembly.

## Cleaning & Packing

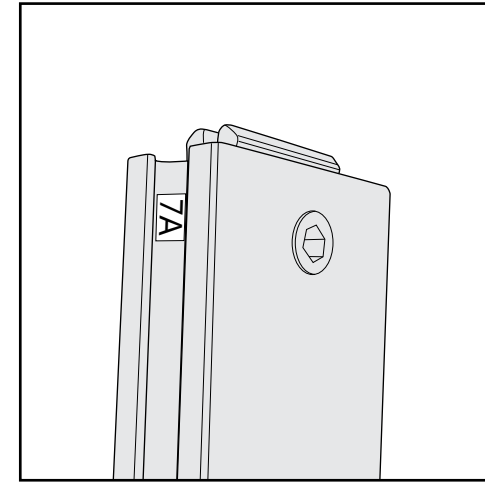
- For Cleaning Metal, Plex, & Laminate Parts: Use a **MILD NON-ABRASIVE** cleanser and soft cloth/paper towel to clean all surfaces.
- Keep exhibit components away from heat and prolonged sun exposure. **Heat and UV exposure will warp and fade components.**
- Retain all provided Packing Materials. All provided packing materials are for ease of repacking & component protection.

## Disassembly

- For loss prevention, tighten all set screws and locks during disassembly.



Hex Tool - Essential for Assembly



Part Identification - Numbering



Spline Connection



Base Plate & Extrusion Connection



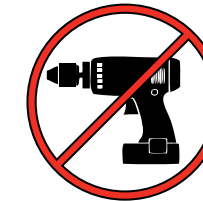
Extrusion & Lock Connection



Engaged Lock



**WARNING**



DO NOT USE POWER TOOLS



LADDERS OR LIFTS  
MAY BE REQUIRED

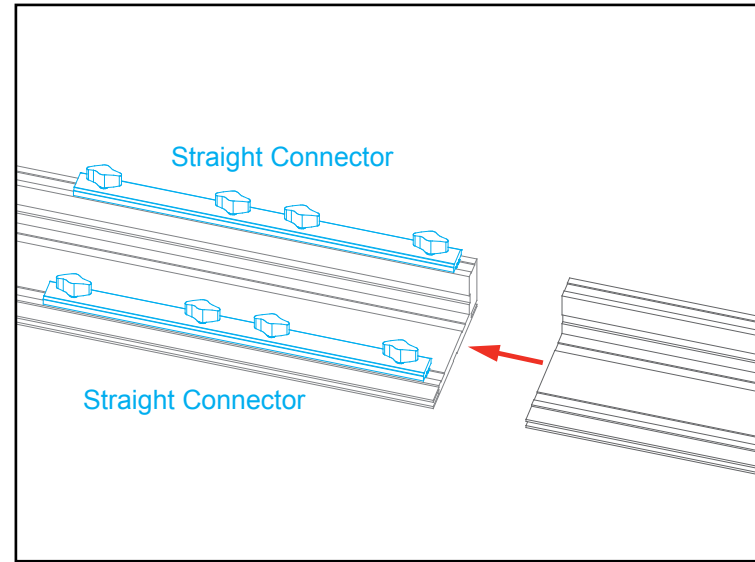


ALL CONNECTIONS MUST  
BE TIGHTLY SECURED

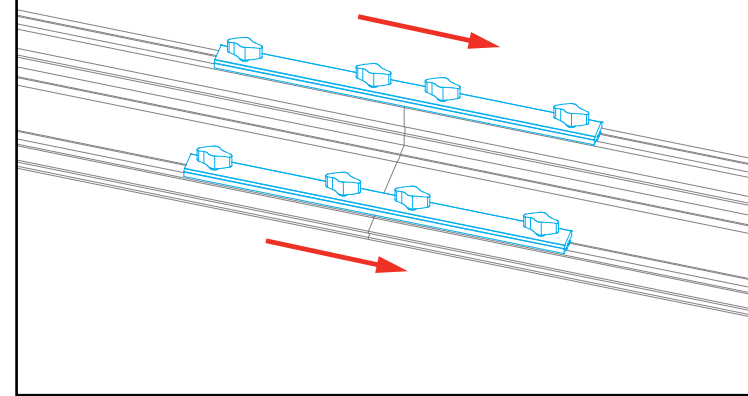
## Straight Connection

When assembling frame, first attach all **straight connectors**, then attach **corner connectors**.

- 1) Place extrusions end-to-end.
- 2) Loosen all knobs, then slide **straight connectors** across the seam of extrusions.
- 3) Tighten all knobs to secure connection.



Slide both connectors across seam of extrusions. Tighten all knobs.



All knobs must be tightened securely to ensure a proper connection.

## Disassembly

- 1) Loosen all knobs.
- 2) Slide connectors off of one extrusion.
- 3) Tighten knobs to prevent loss during packing & shipping.

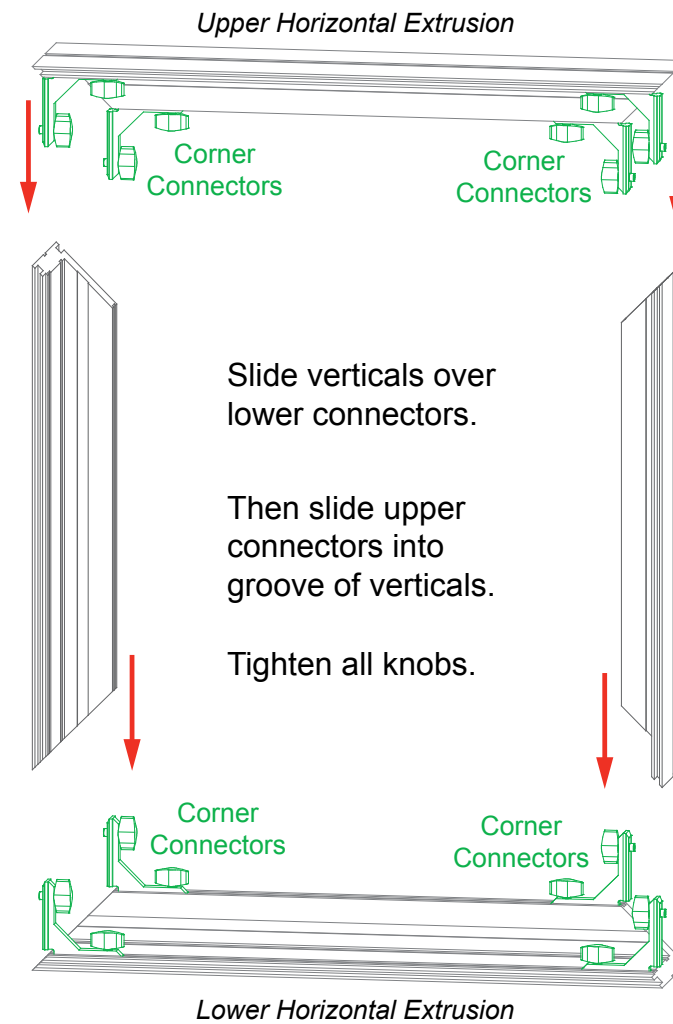
Keep straight connectors in groove of extrusion. Do not remove connectors during disassembly.

## Corner Connection

- 1) Loosen knobs, then slide vertical extrusions onto **corner connectors** of **lower** horizontal extrusion.
- 2) Slide **corner connectors** of **upper** horizontal extrusion into grooves of vertical extrusions.
- 3) Tighten all knobs to secure connection.

## Disassembly

- 1) Loosen knobs on vertical extrusions.
- 2) Slide the vertical extrusions off of **corner connectors** on lower and upper horizontal extrusions.



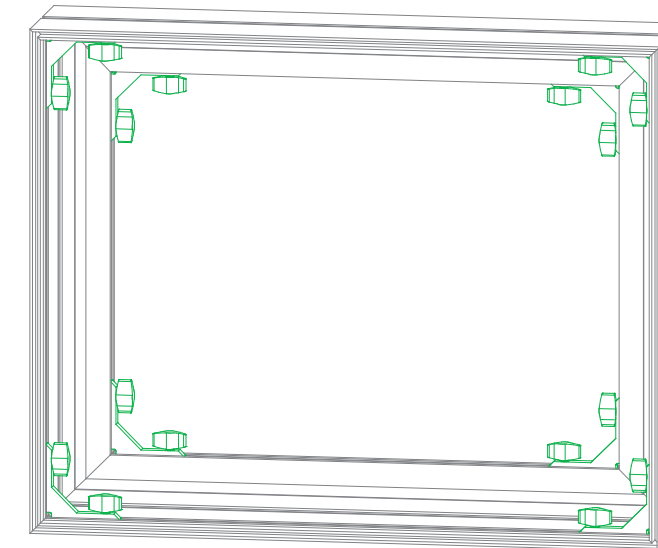
Slide verticals over lower connectors.

Then slide upper connectors into groove of verticals.

Tighten all knobs.

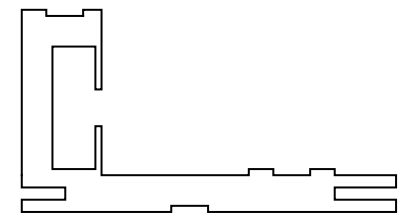


Adjust connectors if necessary to prevent gaps in connection.



COMPLETED ASSEMBLY

All knobs must be tightened securely to ensure a proper connection.

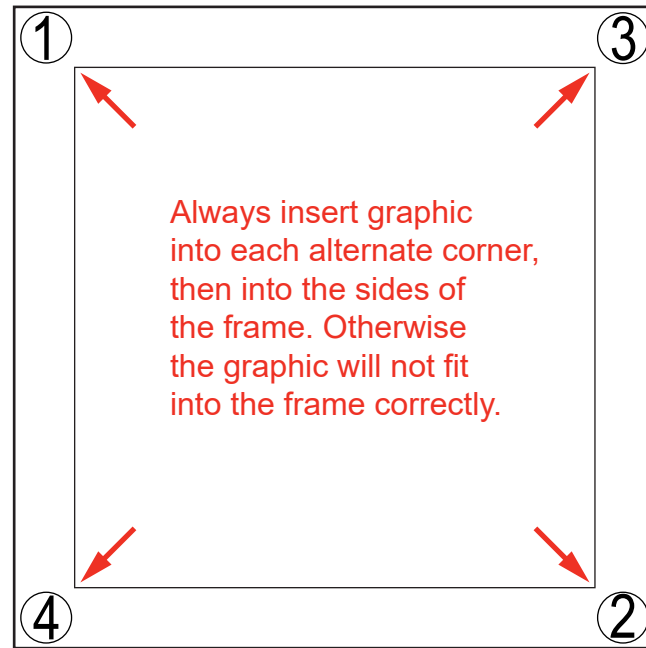


CEI110 Profile

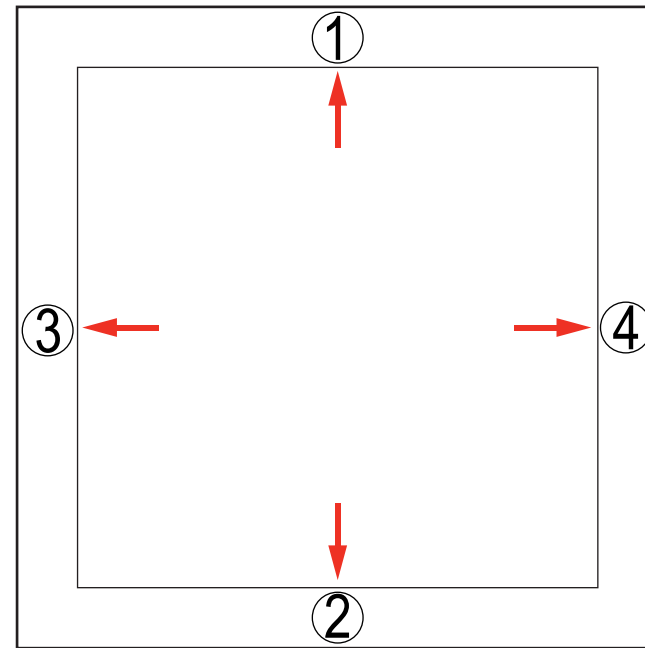
# The Perfect Fit

## SEG Graphic Installation in 3 Steps

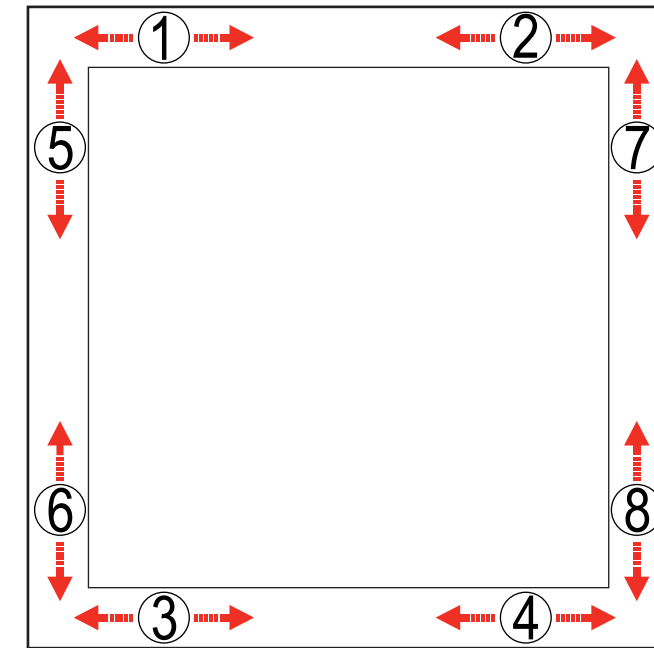
### STEP 1: Attach Corners



### STEP 2: Attach Middle



### STEP 3: Attach Sides



Insert narrow side of silicone welt into the channel at corner 1, with fabric to the outside.

Repeat for opposite corner 2, then corner 3, then corner 4.

Once corners are attached, press the middle of edge 1 into the channel. Then press middle of edge 2 into the channel on opposite side.

Repeat with edge 3 & 4.

Once the middle of sides are attached, fully press the silicone welt into the channel, between center and corner at location 1. Repeat the process between center and corner at location 2.

Do the same for welt on opposite side, at locations 3 & 4. Then repeat for locations 5 & 6 and 7 & 8.

Once the welt is fully inserted on all sides, smooth out edges as needed for a perfect fit.



To remove the graphic from the frame, locate the fabric **pull tab**. Gently pull on the tab to remove the graphic.

Install video:



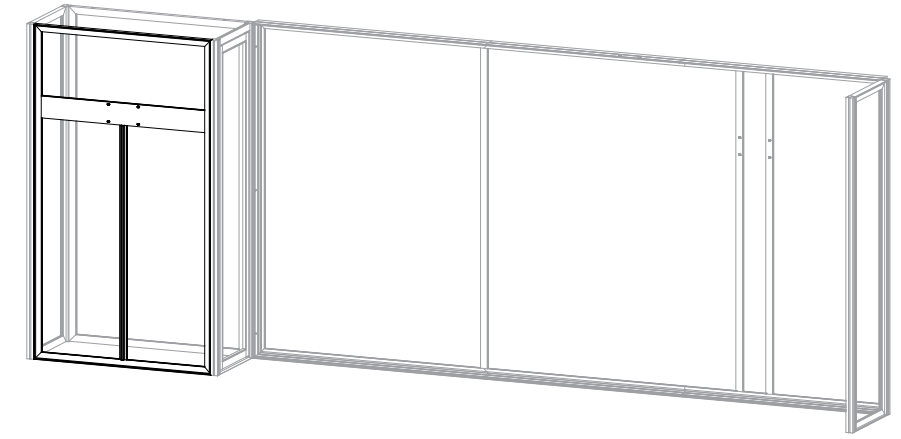
CRATE PACKING

| Item | Qty. | Description                        |
|------|------|------------------------------------|
| 1    | 1    | 84”h TSP46 Vertical Extrusion      |
| 2    | 1    | 84”h TSP46 Vertical Extrusion      |
| 3    | 1    | 47”w TSP46 Horizontal Extrusion    |
| 4    | 1    | 47”w TSP46 Horizontal Extrusion    |
| 5    | 1    | 43.417”w Z140 Horizontal Extrusion |
| 6    | 1    | 58.796”h GS300 Vertical Extrusion  |

**Steps:**

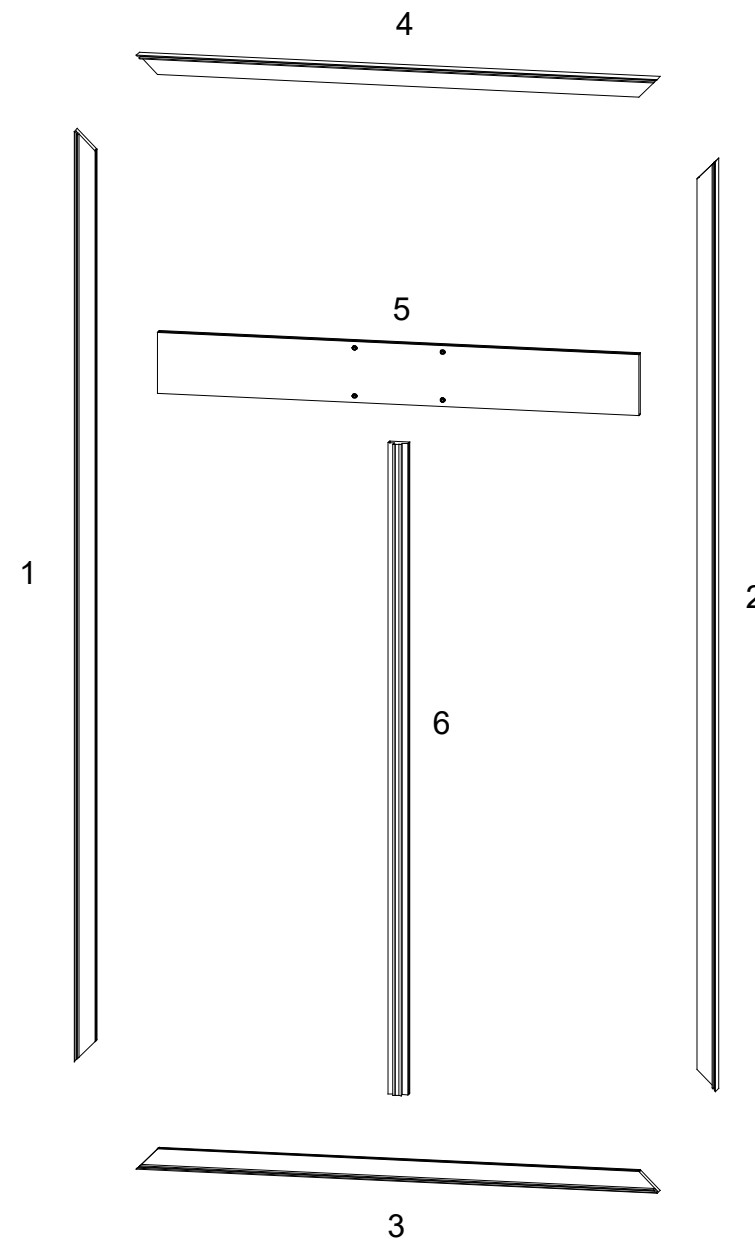
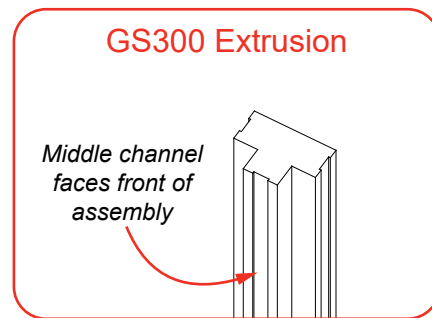
*Refer to the TSP46 Frame Assembly general information page.*

- 1) Assemble verticals [1,2] between horizontals [3,4].
- 2) Attach horizontal [5] between verticals [1,2].
- 3) Connect vertical [6] between horizontals [3] & [5] as shown.



**Section Being Assembled is Highlighted in BLACK**

**Assemble frame flat on ground.**



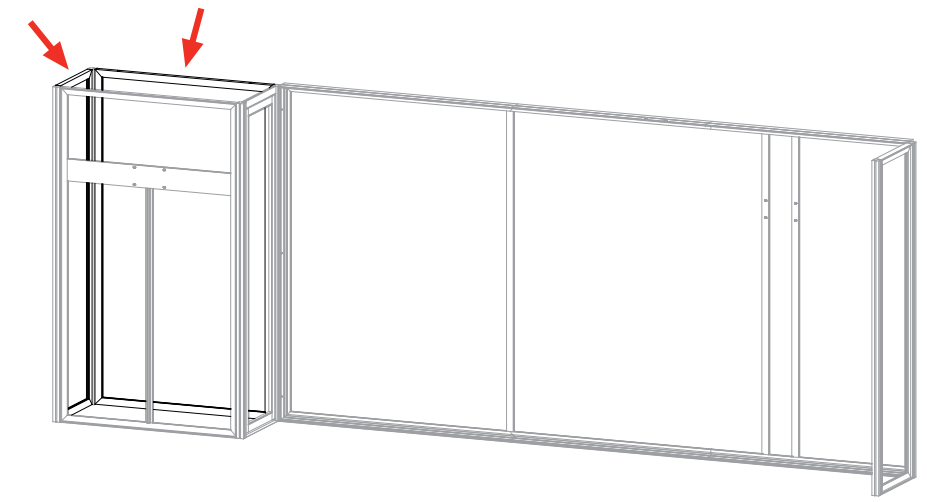
*FRONT VIEW*

| Item | Qty. | Description                     |
|------|------|---------------------------------|
| 7    | 1    | 84”h TSP46 Vertical Extrusion   |
| 8    | 1    | 84”h TSP46 Vertical Extrusion   |
| 9    | 1    | 47”w TSP46 Horizontal Extrusion |
| 10   | 1    | 47”w TSP46 Horizontal Extrusion |
| 11   | 1    | 84”h TSP46 Vertical Extrusion   |
| 12   | 1    | 84”h TSP46 Vertical Extrusion   |
| 13   | 1    | 20”w TSP46 Horizontal Extrusion |
| 14   | 1    | 20”w TSP46 Horizontal Extrusion |

**Steps:**

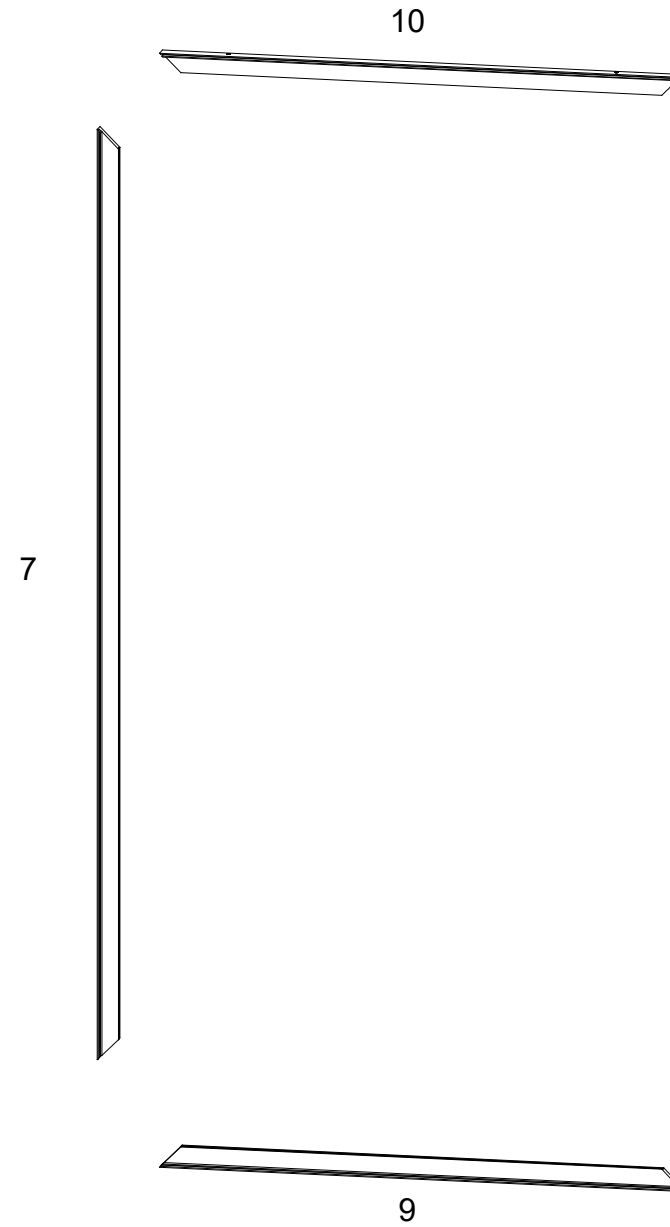
*Refer to the TSP46 Frame Assembly general information page.*

- 1) Assemble verticals [7,8] between horizontals [9,10].
- 2) Connect verticals [11,12] between horizontals [13,14].

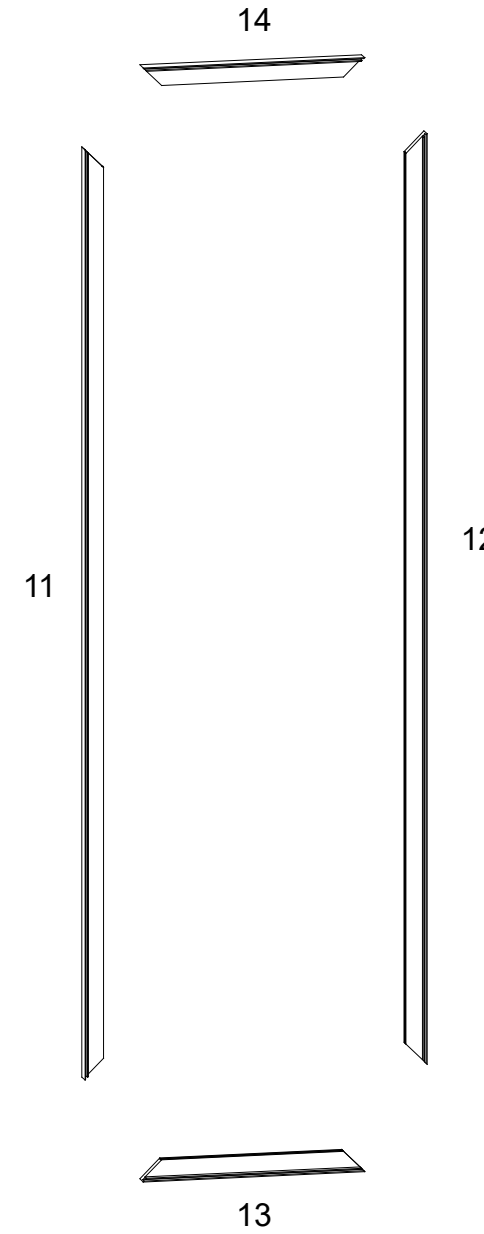


**Section Being Assembled is Highlighted in BLACK**

Assemble frames flat on ground.



*VIEWED FROM  
BACK OF BOOTH*



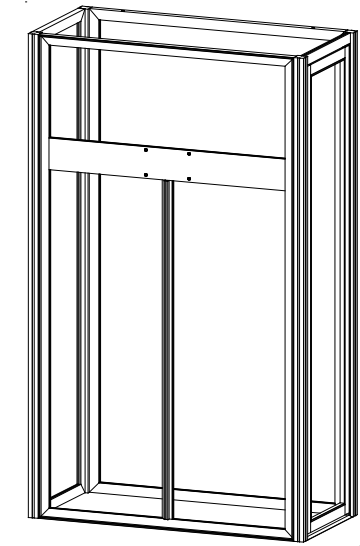
*VIEWED FROM  
SIDE OF BOOTH*



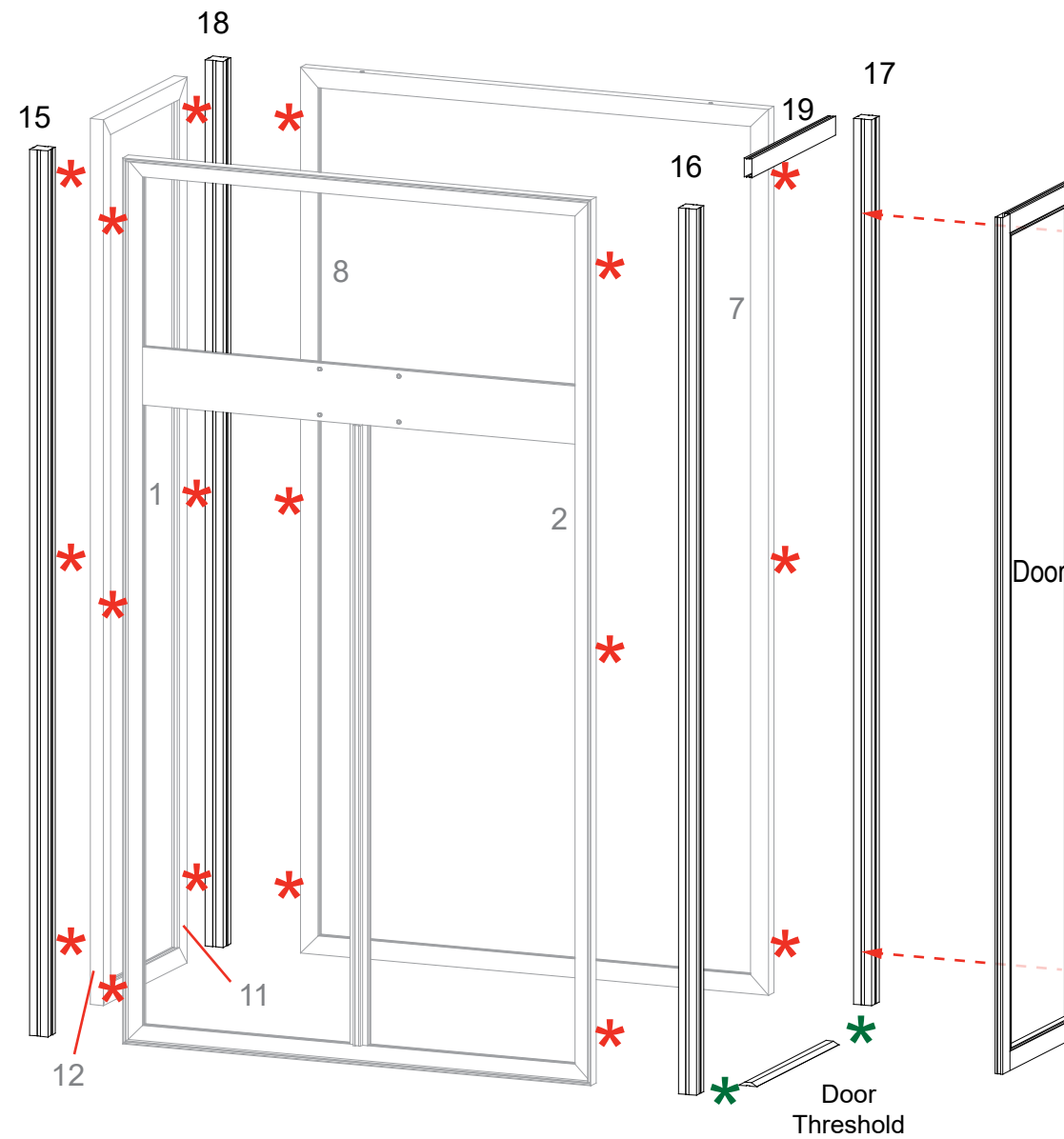
| Item | Qty. | Description                                 |
|------|------|---|
| 15   | 1    | 84"h S44 Vertical Extrusion                 |
| 16   | 1    | 84"h S44 Vertical Extrusion w/ Door Stopper |
| 17   | 1    | 84"h S44 Vertical Extrusion w/ Door Hinges  |
| 18   | 1    | 84"h S44 Vertical Extrusion                 |
| 19   | 1    | 20"w Z45 Horizontal Extrusion               |
| --   | 1    | 19.547"w Door Threshold                     |
| --   | 1    | Door  |

**Steps:**

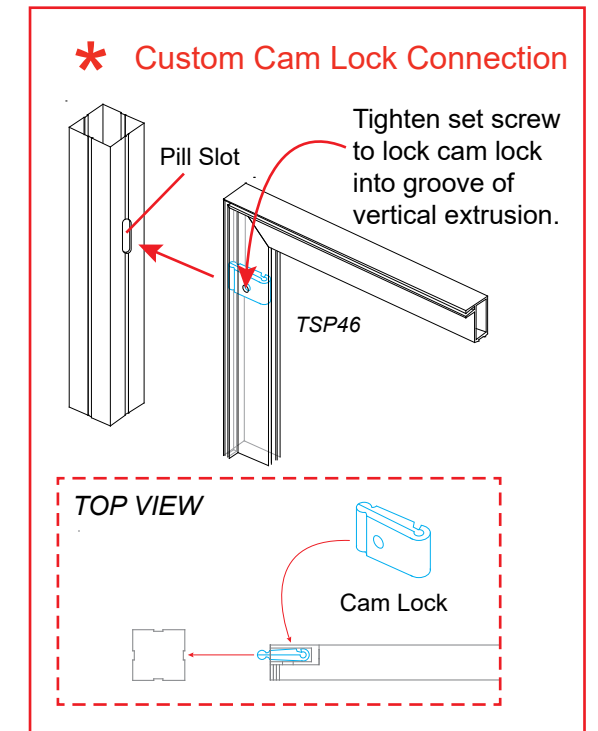
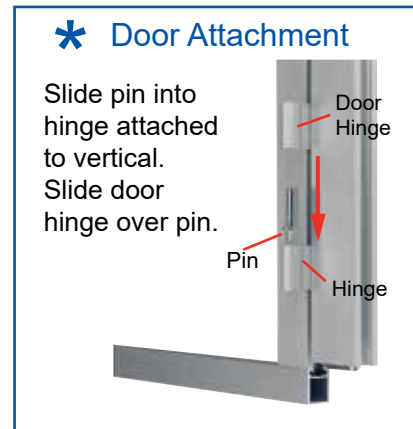
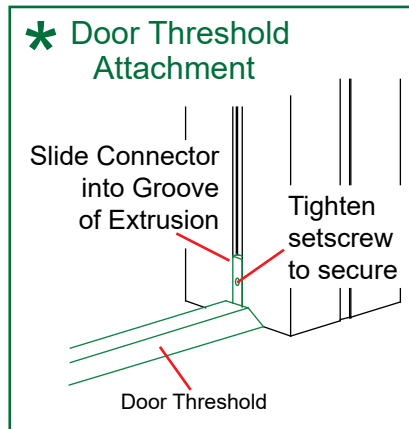
- 1) Connect front frame verticals [1,2] to verticals [15] & [16] using custom cam locks. See **Custom Cam Lock Connection** detail.
- 2) Attach horizontal [19] & Door Threshold between verticals [16,17]. See **Door Threshold Attachment** detail.
- 3) Connect back frame verticals [7,8] to verticals [17] & [18] using **Custom Cam Locks**.
- 4) Attach side frame verticals [11,12] to verticals [15] & [18] using **Custom Cam Locks**.
- 5) Attach Door to hinges on vertical [17]. See **Door Attachment** detail.



When assembled



FRONT VIEW

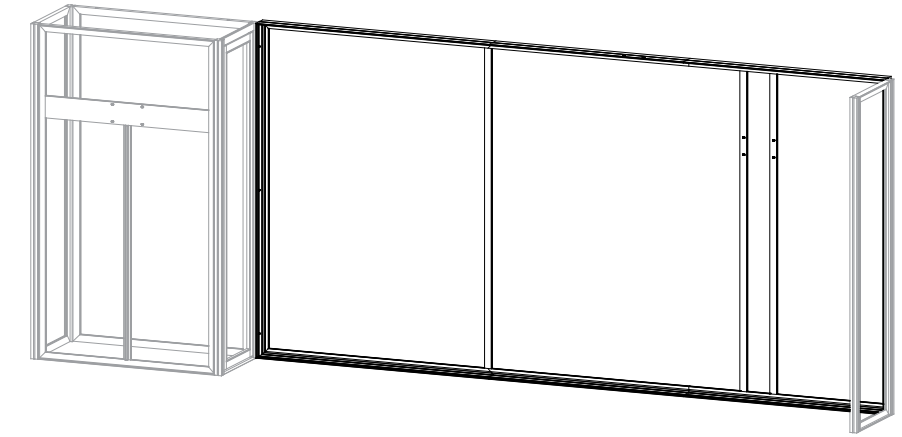


| Item | Qty. | Description                          |
|------|------|--------------------------------------|
| 20   | 1    | 84"h CEI110 Vertical Extrusion       |
| 21   | 1    | 84"h CEI110 Vertical Extrusion       |
| 22   | 1    | 62"w CEI110 Horizontal Extrusion     |
| 23   | 1    | 62"w CEI110 Horizontal Extrusion     |
| 30   | 1    | 53.412"w CEI110 Horizontal Extrusion |
| 31   | 1    | 53.412"w CEI110 Horizontal Extrusion |
| 32   | 1    | 53.412"w CEI110 Horizontal Extrusion |
| 33   | 1    | 53.412"w CEI110 Horizontal Extrusion |
| 34   | 1    | 80.353"h Z45 Vertical Extrusion      |
| 35   | 2    | 80.353"h Z45 Vertical Extrusion      |

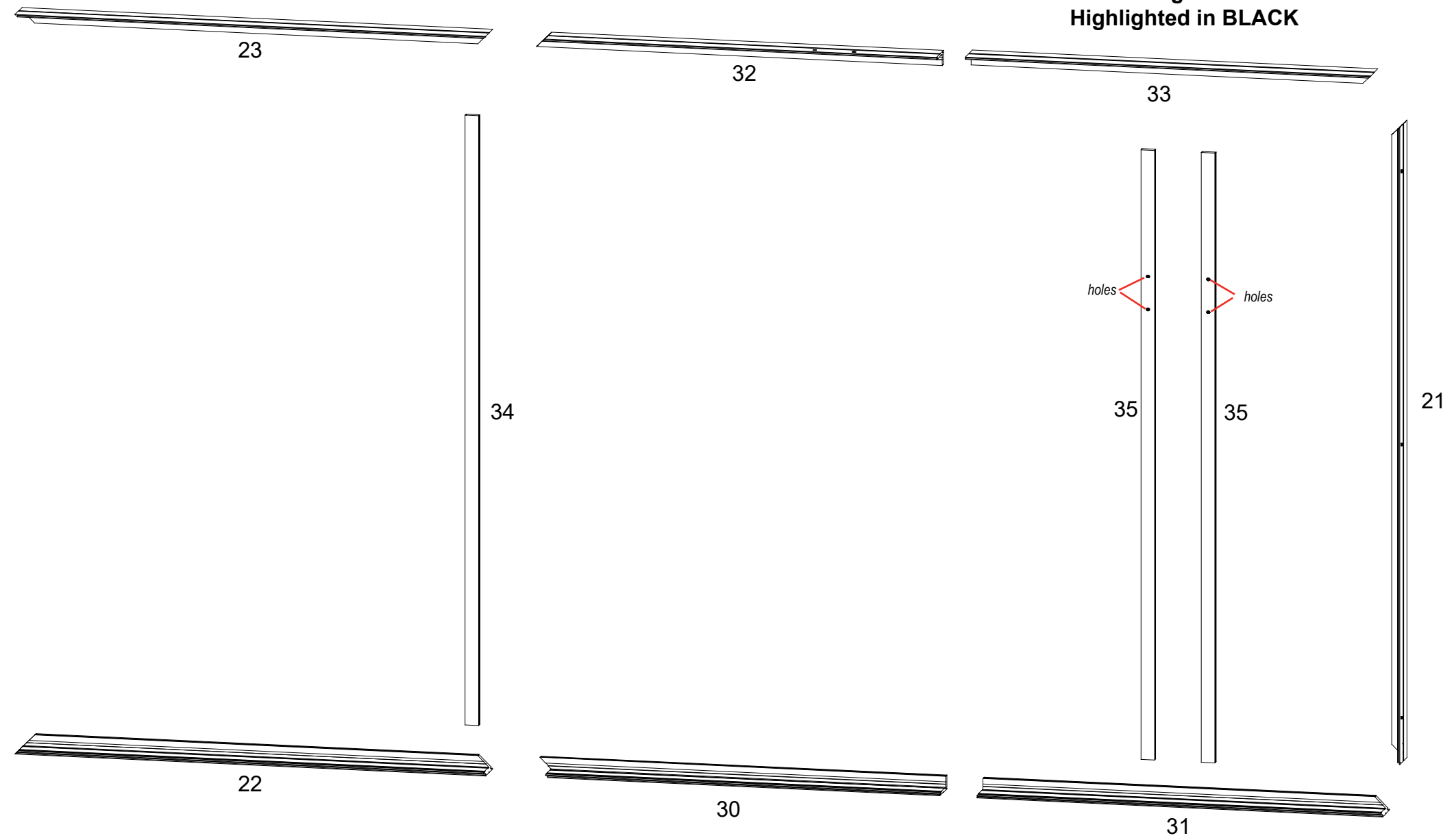
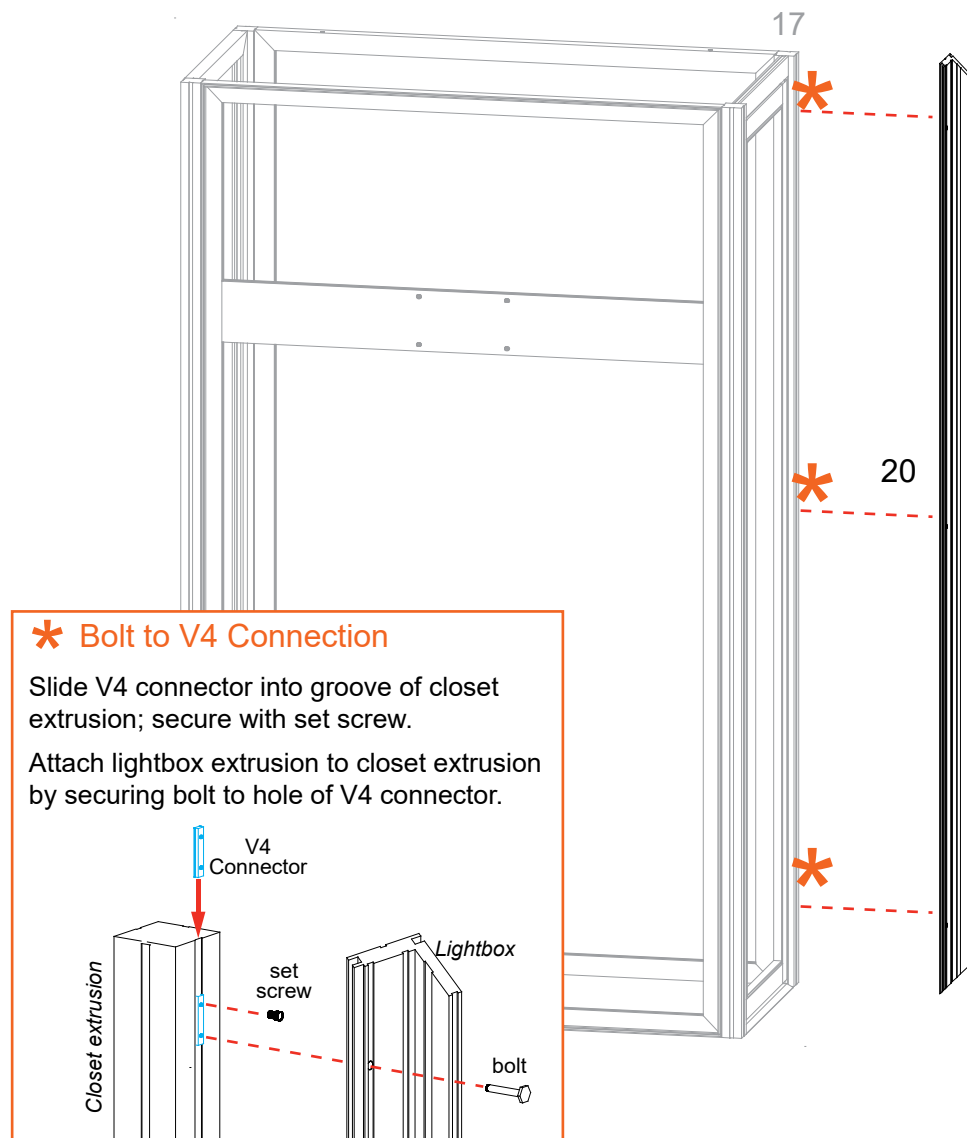
**Steps:**

Refer to the CEI110 Frame Assembly general information page.

- 1) Assemble horizontals [22-30-31] & [23-32-33] using straight connectors.
- 2) Attach verticals [20,21] between horizontal assemblies [22/30/31], [23/32/33] using corner connectors..
- 3) Connect verticals [34] & [35] between horizontal assemblies.
- 4) Attach vertical [20] to closet vertical [17] using bolts.  
See **Bolt to V4 Connection** detail.



**Section Being Assembled is Highlighted in BLACK**



**\* Bolt to V4 Connection**

Slide V4 connector into groove of closet extrusion; secure with set screw.

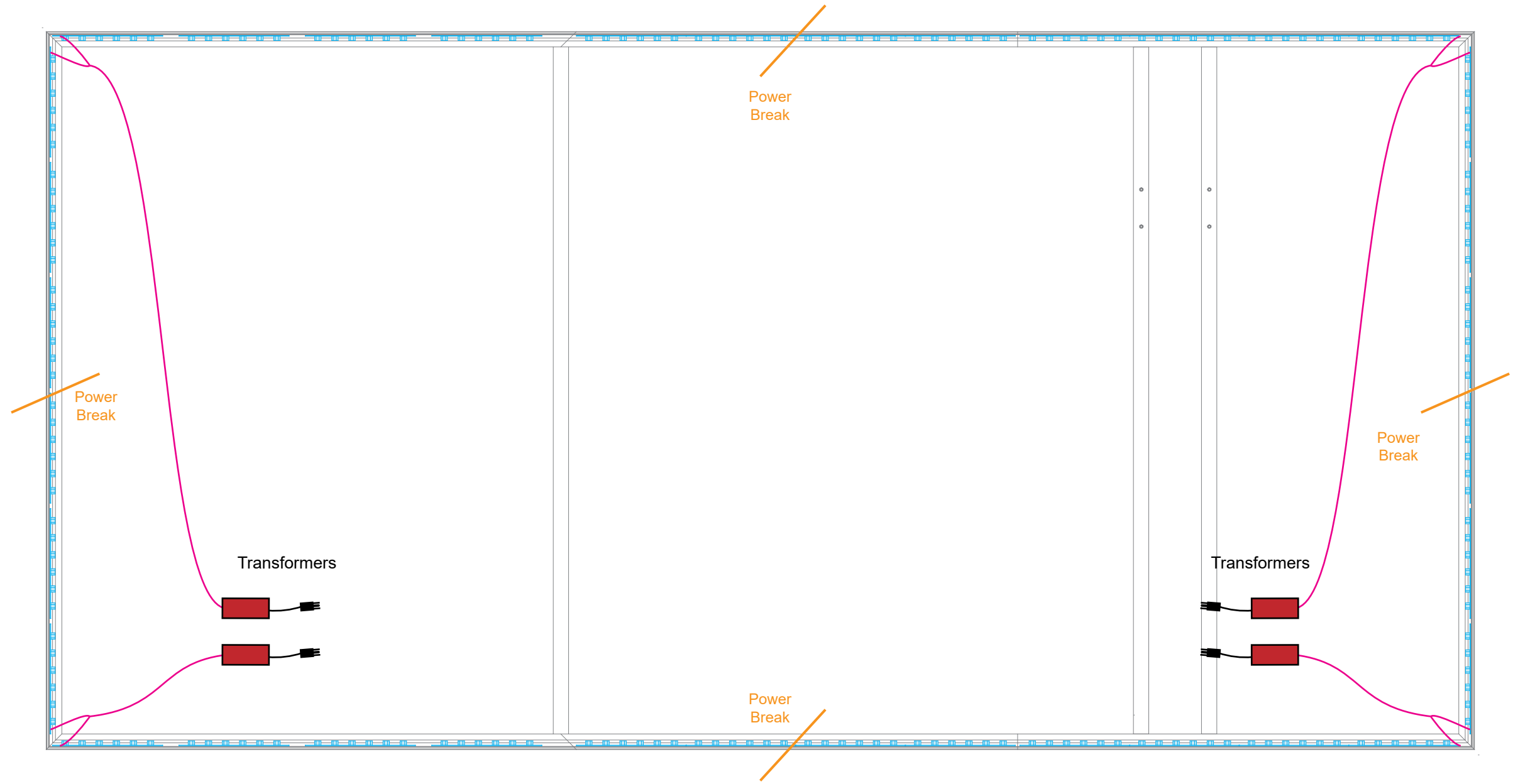
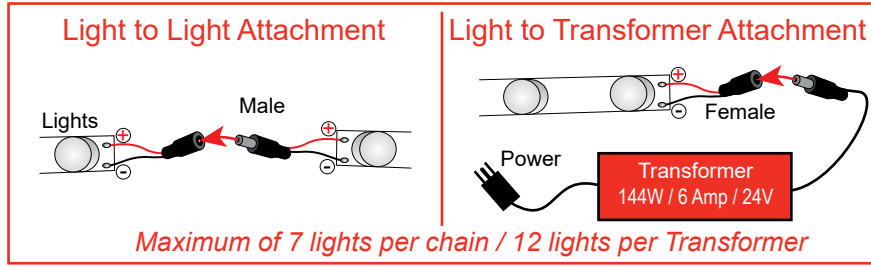
Attach lightbox extrusion to closet extrusion by securing bolt to hole of V4 connector.

**Assemble frame flat on ground.**

FRONT VIEW

**Steps:**

- 1) Connect power cords to Supernova lights as shown.

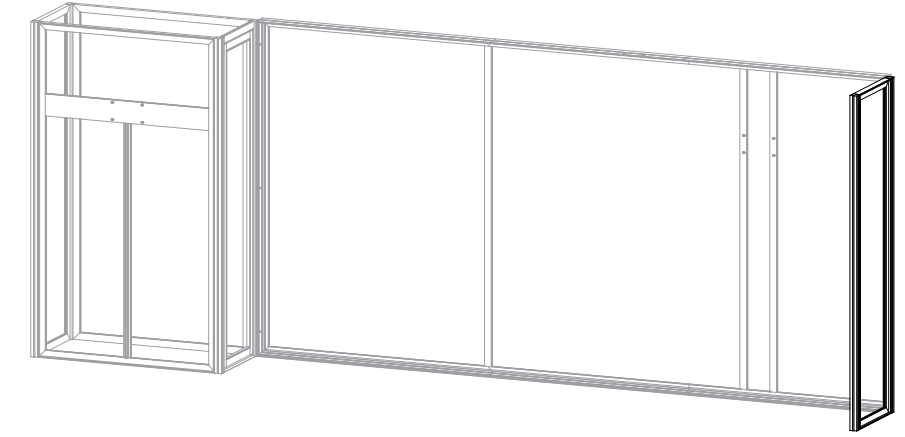


| Item | Qty. | Description                     |
|------|------|---------------------------------|
| 24   | 1    | 84”h TSP49 Vertical Extrusion   |
| 25   | 1    | 84”h TSP49 Vertical Extrusion   |
| 26   | 1    | 20”w TSP49 Horizontal Extrusion |
| 27   | 1    | 20”w TSP49 Horizontal Extrusion |
| 28   | 1    | 84”h S44 Vertical Extrusion     |
| 29   | 1    | 84”h S44 Vertical Extrusion     |

**Steps:**

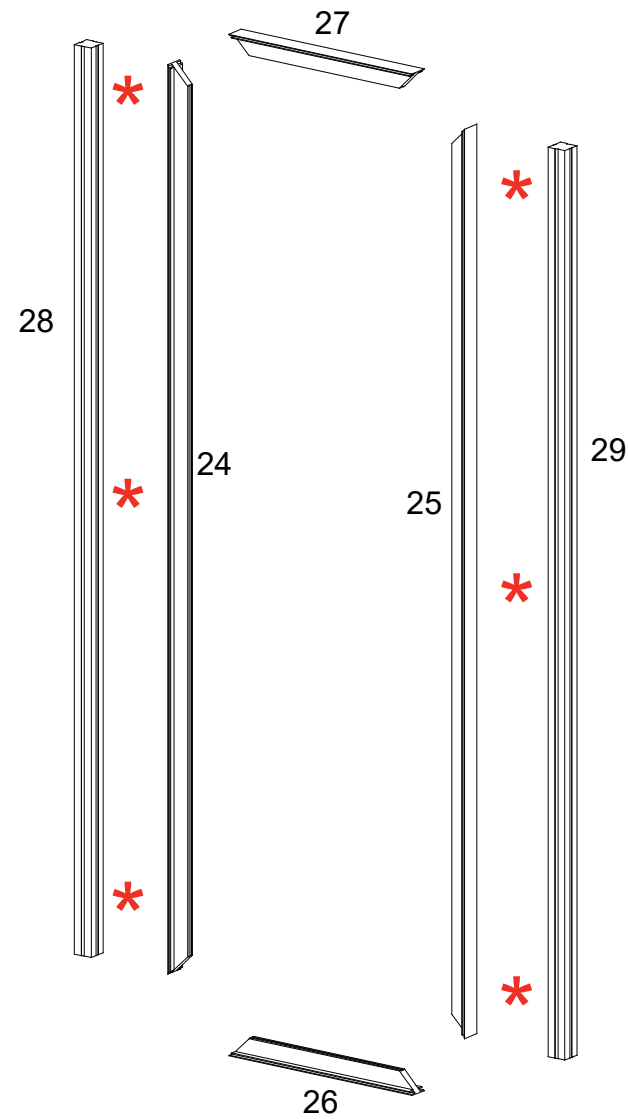
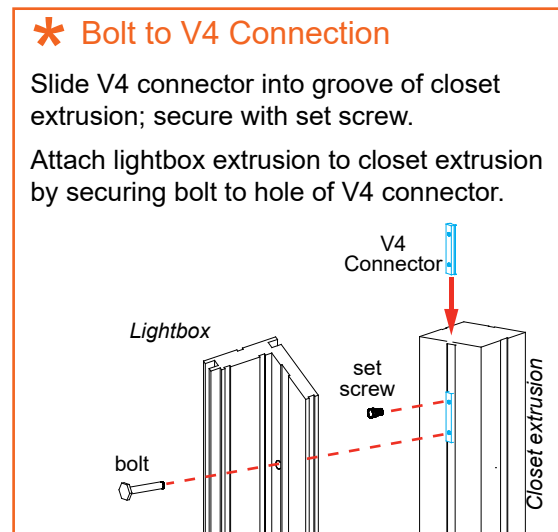
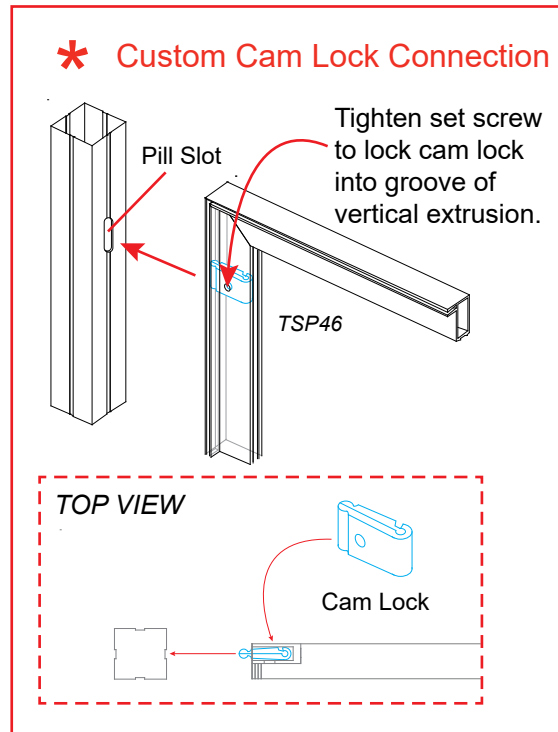
Refer to the *TSP49 Frame Assembly general information page*.

- 1) Assemble verticals [24,25] between horizontals [26,27].
- 2) Connect frame verticals [24,25] to verticals [28] & [29] using custom cam locks. See **Custom Cam Lock Connection** detail.
- 3) Attach lightbox vertical [21] to vertical [28] using bolts. See **Bolt to V4 Connection** detail.

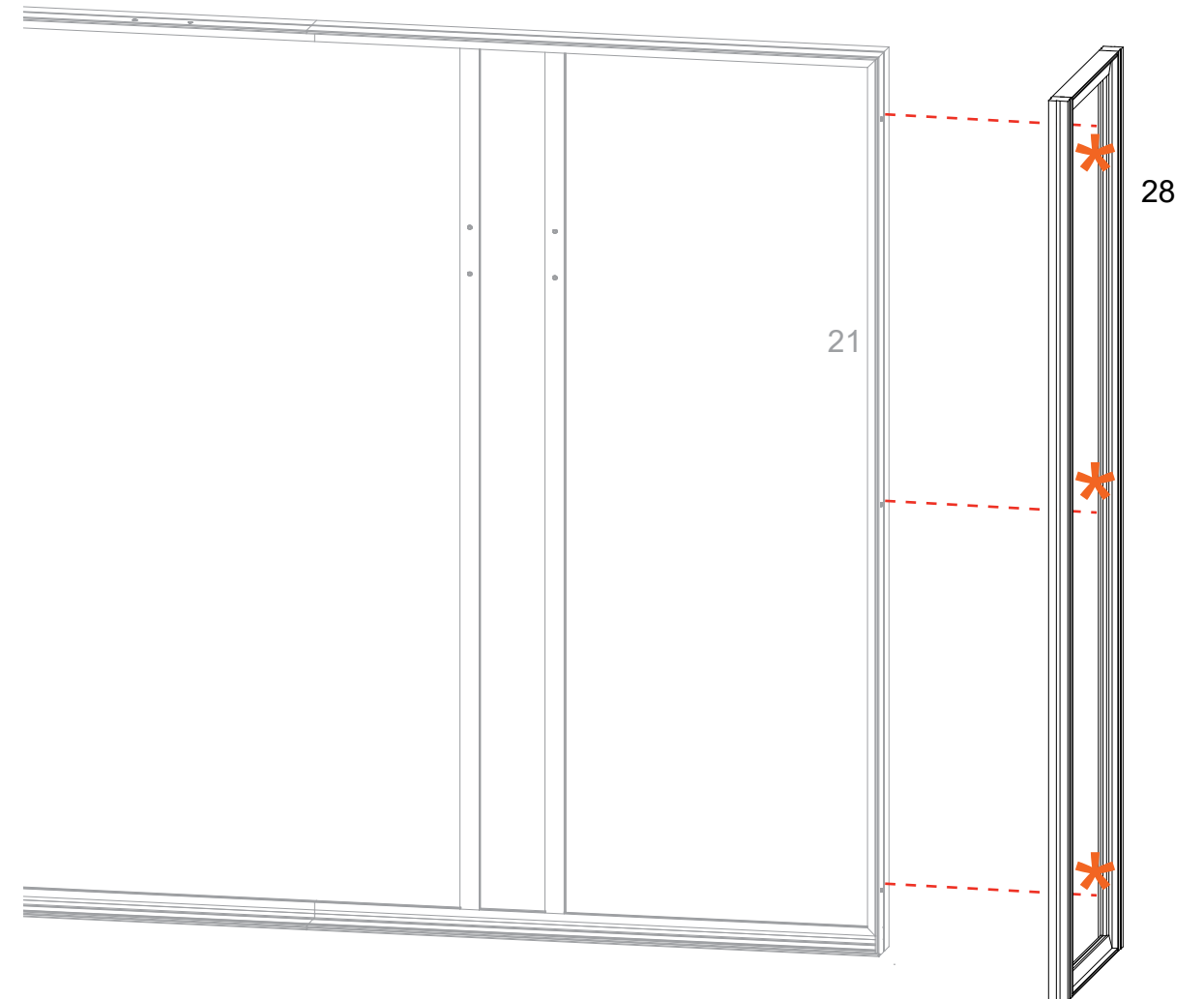


**Section Being Assembled is Highlighted in BLACK**

**Assemble frames flat on ground.**

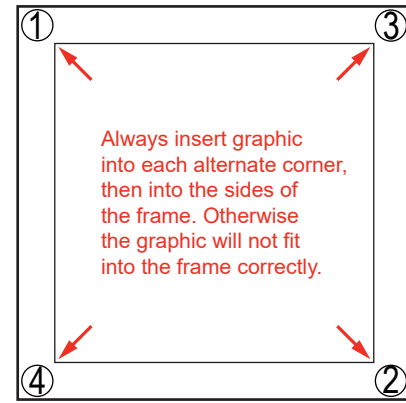


**VIEWED FROM INSIDE OF BOOTH**



# SEG Graphic Installation

## STEP 1: Attach Corners

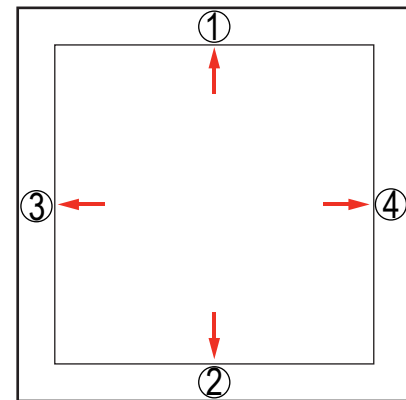


Insert narrow side of silicone welt into the channel at corner 1, with fabric to the outside.

Repeat for opposite corner 2, then corner 3, then corner 4.



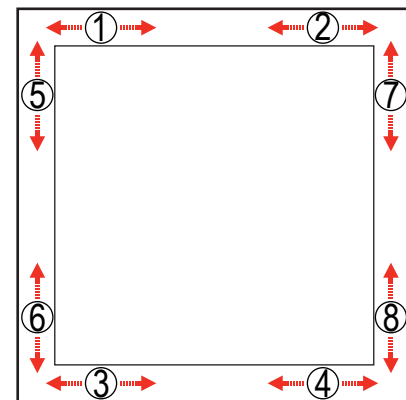
## STEP 2: Attach Middle



Once corners are attached, press the middle of edge 1 into the channel. Then press middle of edge 2 into the channel on opposite side.

Repeat with edge 3 & 4.

## STEP 3: Attach Sides



Once the middle of sides are attached, fully press the silicone welt into the channel, between center and corner at location 1. Repeat the process between center and corner at location 2.

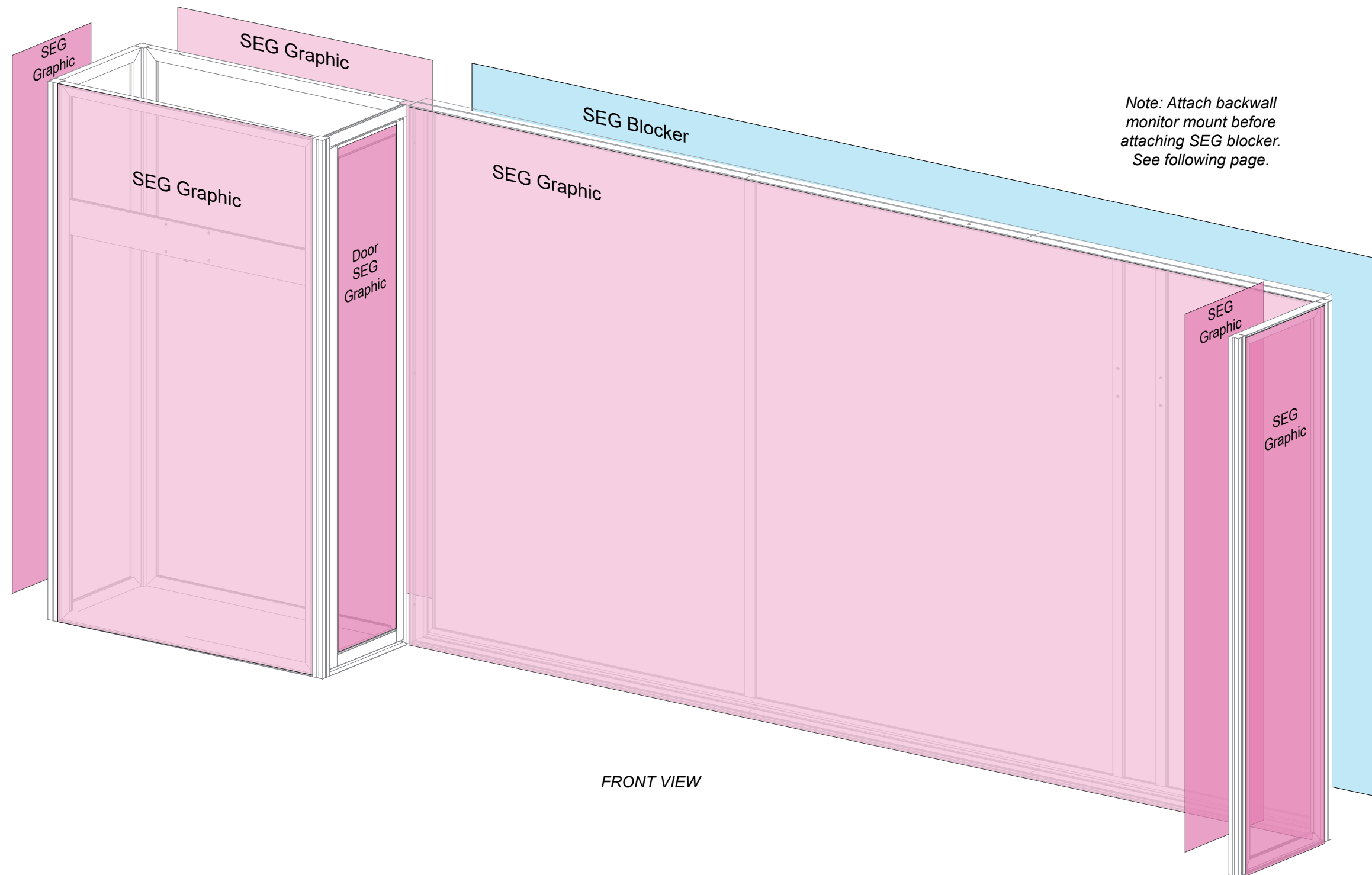


To remove the graphic from the frame, locate the fabric pull tab. Gently pull on the tab to remove the graphic.

Do the same for welt on opposite side, at locations 3 & 4. Then repeat for locations 5 & 6 and 7 & 8.

Steps:

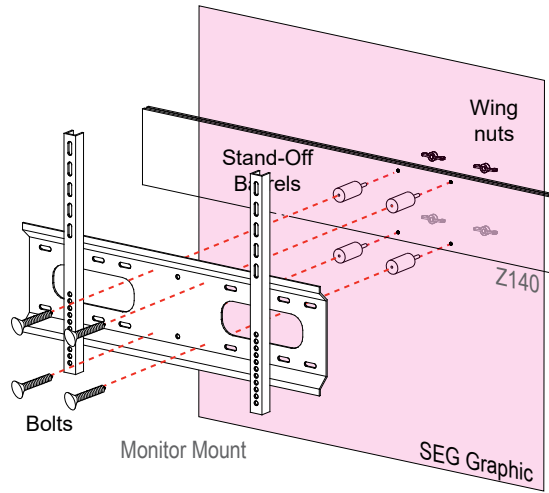
1) Apply SEG graphics to closet, lightbox & return wall as shown.



**\* Closet Monitor Mount Attachment**

Attach Stand-off Barrels to horizontal extrusion using wing nuts.

Install Monitor Mount to Stand-off Barrels using bolts.

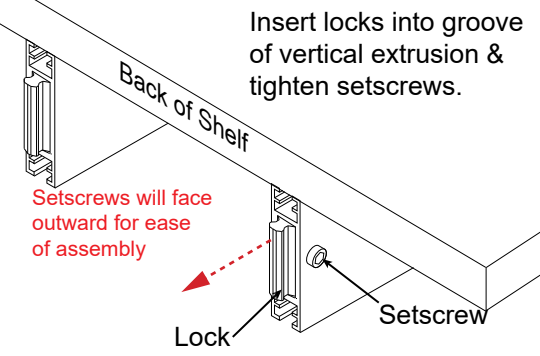


*Note: Monitor mount installs over SEG graphic.*

**\* Shelf Attachment**

Insert locks into groove of vertical extrusion & tighten setscrews.

Setscrews will face outward for ease of assembly



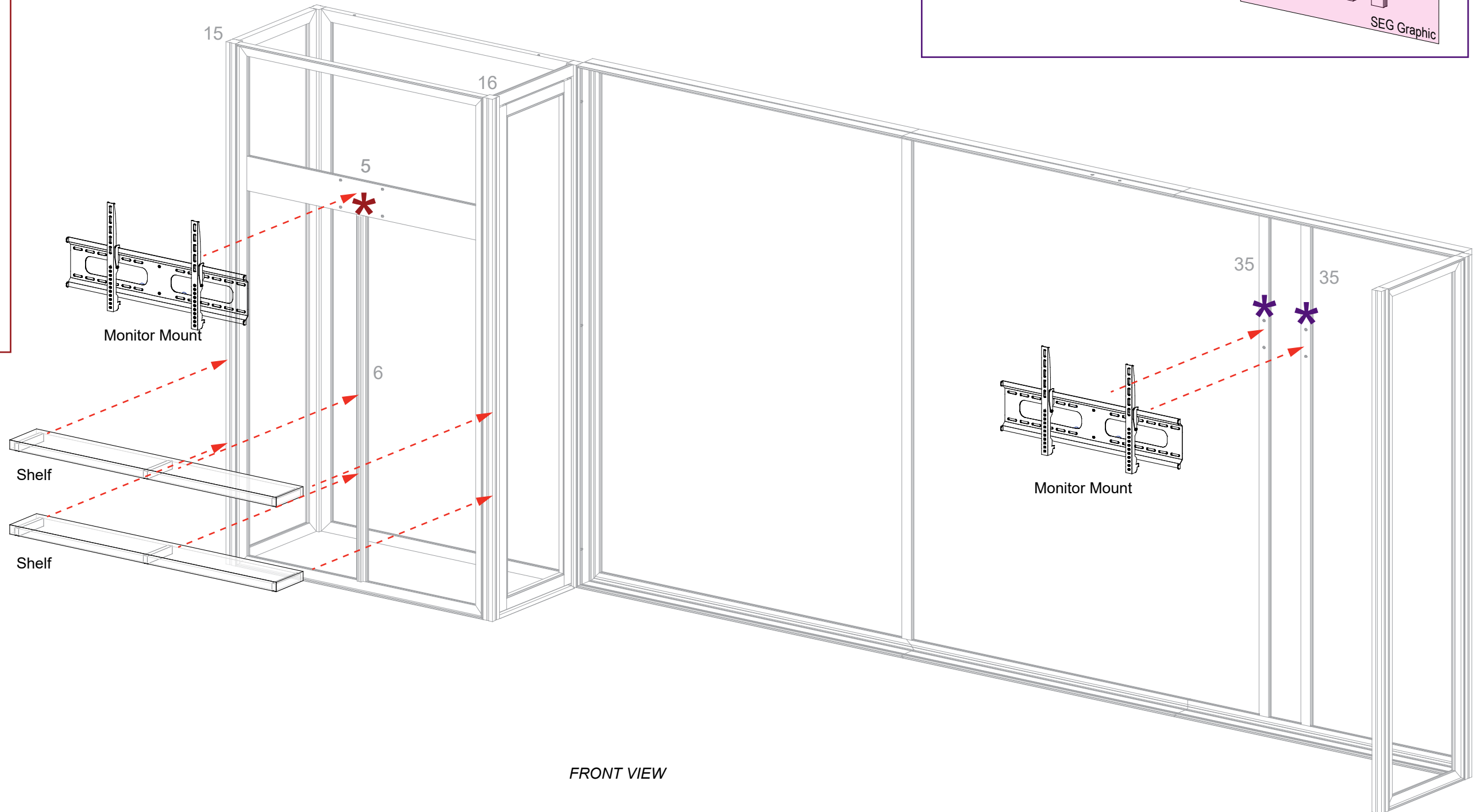
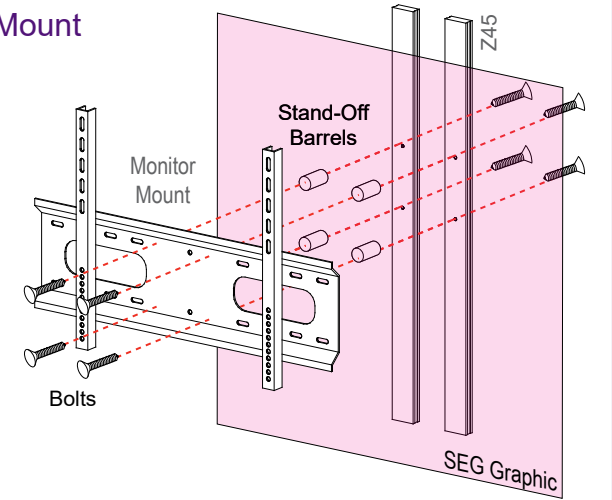
Steps:

- 1) Install Monitor Mount to horizontal [5] of front closet frame.  
See **Closet Monitor Mount Attachment** detail.
- 2) Connect Shelves to closet verticals [15,16] & front frame vertical [6].  
See **Shelf Attachment** detail.
- 3) Attach Monitor Mount to backwall verticals [35].  
See **Backwall Monitor Mount Attachment** detail.

**\* Backwall Monitor Mount Attachment**

Attach Stand-off barrels to Z45 extrusions using bolts.

Connect Monitor Mount to Standoff Barrels using bolts.



FRONT VIEW

# AERO

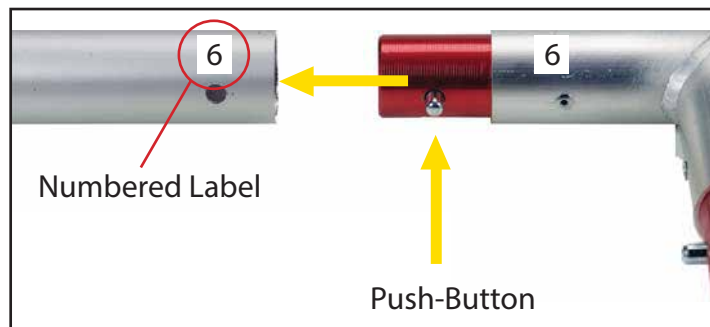
## Using Your Setup Instructions

The Aero Setup Instructions are created specifically for your configuration. The instructions include an exploded view of the frame which is sequentially labeled. We encourage you to review the instructions before attempting to assemble your exhibit.

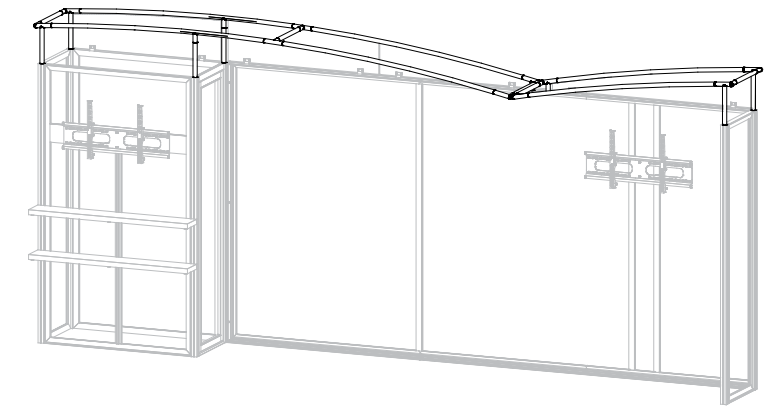
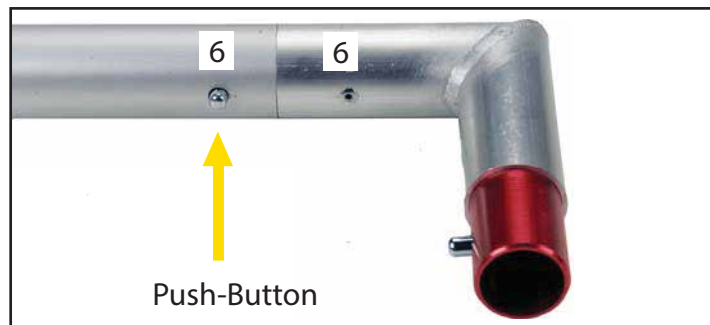
Connections are kept very simple; no tools required. Everything assembles with push-button connectors.

## Cleaning and Packing Your Display

- 1) Use care when cleaning aluminum extrusion or acrylic inserts. Use only non-abrasive cleaners.
- 2) Retain all packing material. It will make re-packing much easier and will reduce the likelihood of shipping damage.



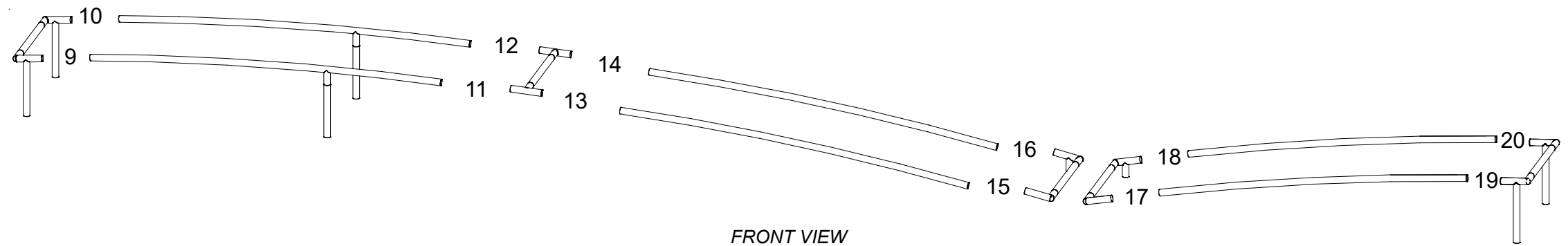
Connections are made by holding the button down and sliding the red tube into opposing tube until button locks into the hole of the opposing tube. To disassemble, push button and pull or twist extrusions apart.



When assembled

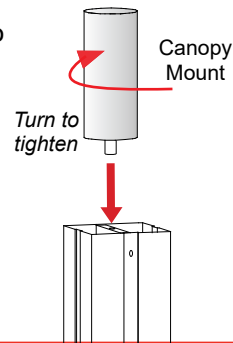
## Steps:

- 1) Assemble Aero Frame parts labeled [9] through [20] together in numerical order, as shown.
- 2) Apply Pillowcase Graphic to assembled frame.



**\* Canopy Mount Attachment**

Insert Canopy Mount into threaded hole in top of vertical extrusion. Turn barrel clockwise to tighten in place.



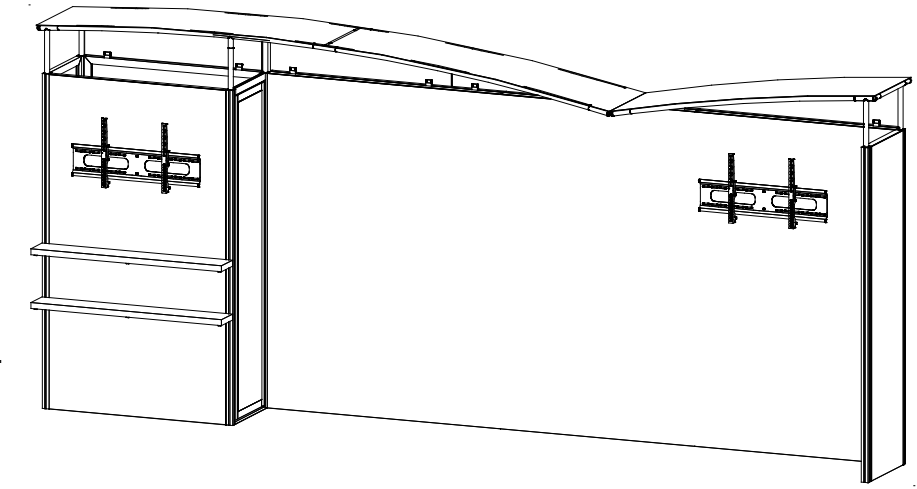
Aero Frame Support Arm

Slide assembled Aero canopy supports over installed mount barrels.

Canopy Mount

**Steps:**

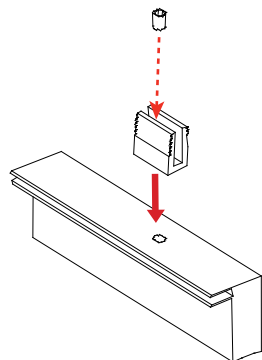
- 1) Connect Header Graphics to top of horizontals [10] & [23] as shown using A10 Clamps. See [A10 Clamp Attachment](#) detail.
- 2) Attach Canopy Mounts to top of verticals [15,16,17,18,28,29]; place assembled canopy onto mounts. See [Canopy Mount Attachment](#) detail.
- 3) Connect Canopy to horizontal [32] using Canopy Mounts w/ V4 connectors. See [V4 Canopy Mount](#) detail.



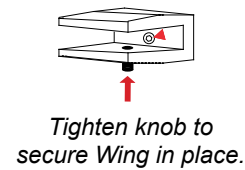
Completed Assembly

**\* A10 Clamp Attachment**

Attach to TSP46:



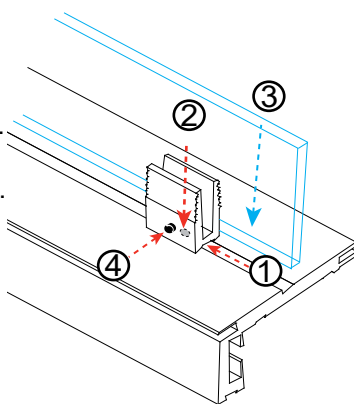
- 1) Secure A10 clamp to top of horizontal using screw.
- 2) Insert wing into A10 clamp & secure by tightening knob.



Tighten knob to secure Wing in place.

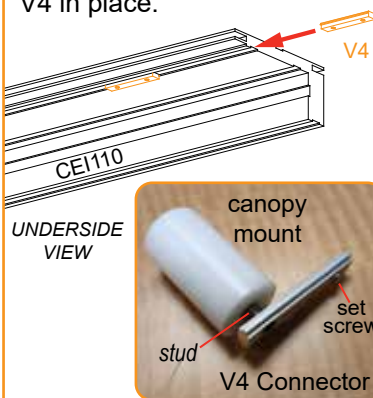
Attach to CEI110:

- 1) Slide A10 connector into groove of extrusion.
- 2) Tighten set screw to secure A10 to extrusion.
- 3) Insert Header into Clamp.
- 4) Tighten knob to secure wing in place.

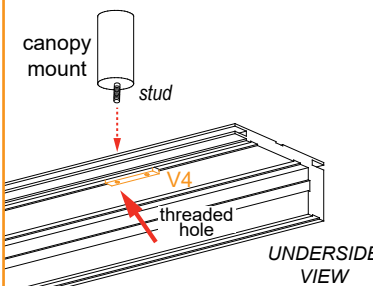


**\* V4 Canopy Mount**

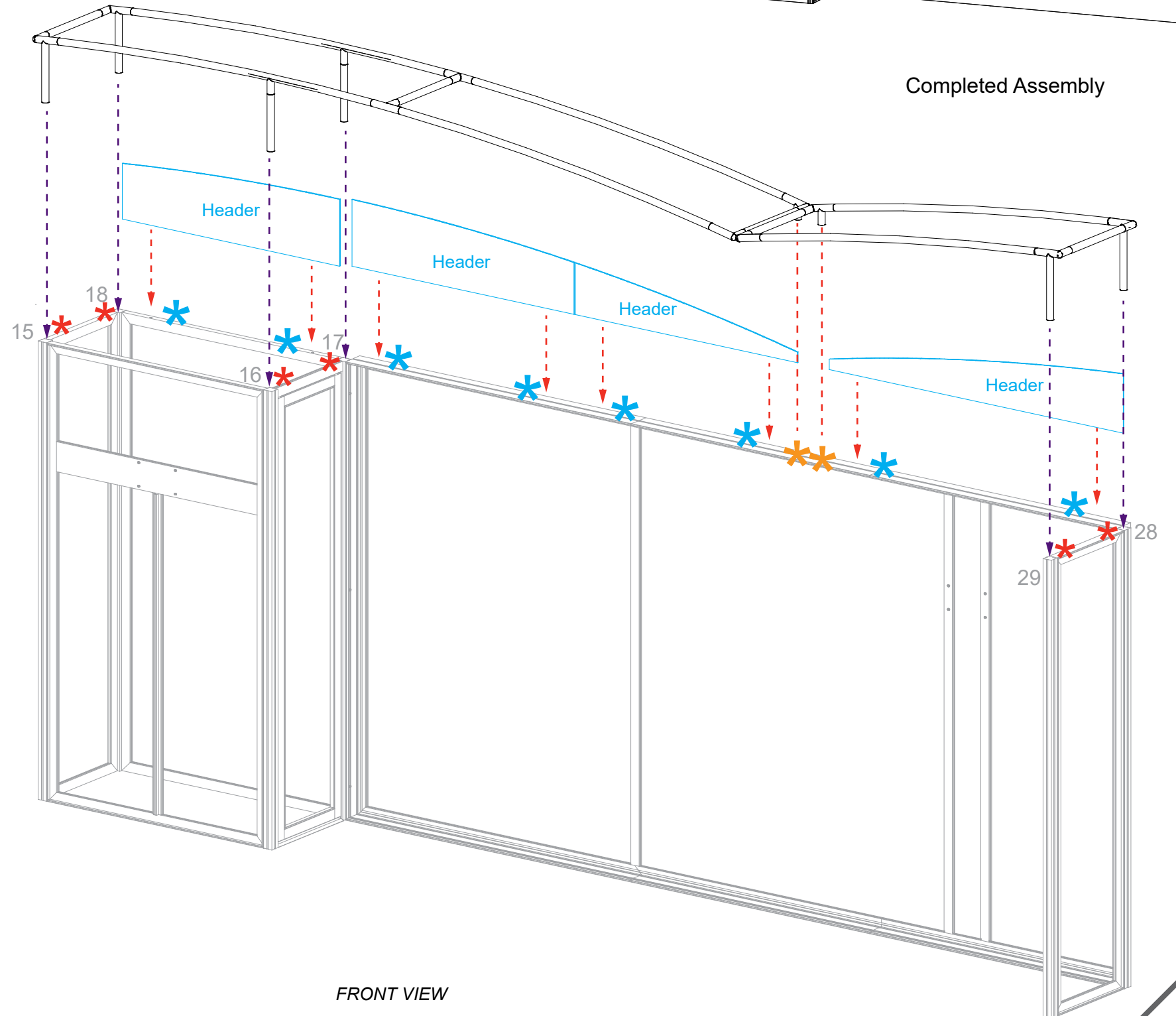
Slide V4 connector into front groove on underside of CEI110 horizontal extrusion. Tighten set screw to secure V4 in place.



Insert threaded stud of canopy mount through hole in top of CEI110 horizontal, and screw into threaded hole of V4 connector.



Once installed, place Aero frame onto canopy mount.

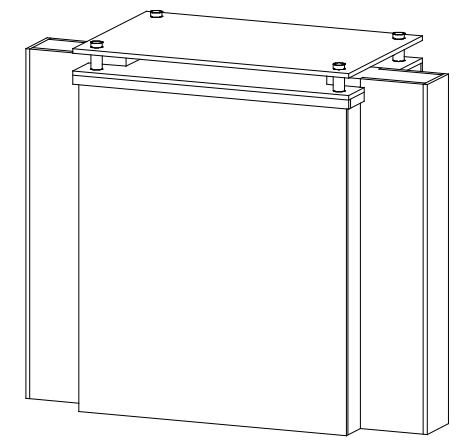


FRONT VIEW



| Item | Qty. | Description               |
|------|------|---------------------------|
| --   | 1    | 33" x 21" Counter Top     |
| --   | 4    | 2" Standoff Barrel w/ Cap |

Steps:  
1) Attach Plex Counter Top to counter base using standoff barrels & caps.  
See [Plex Counter Attachment](#) detail.

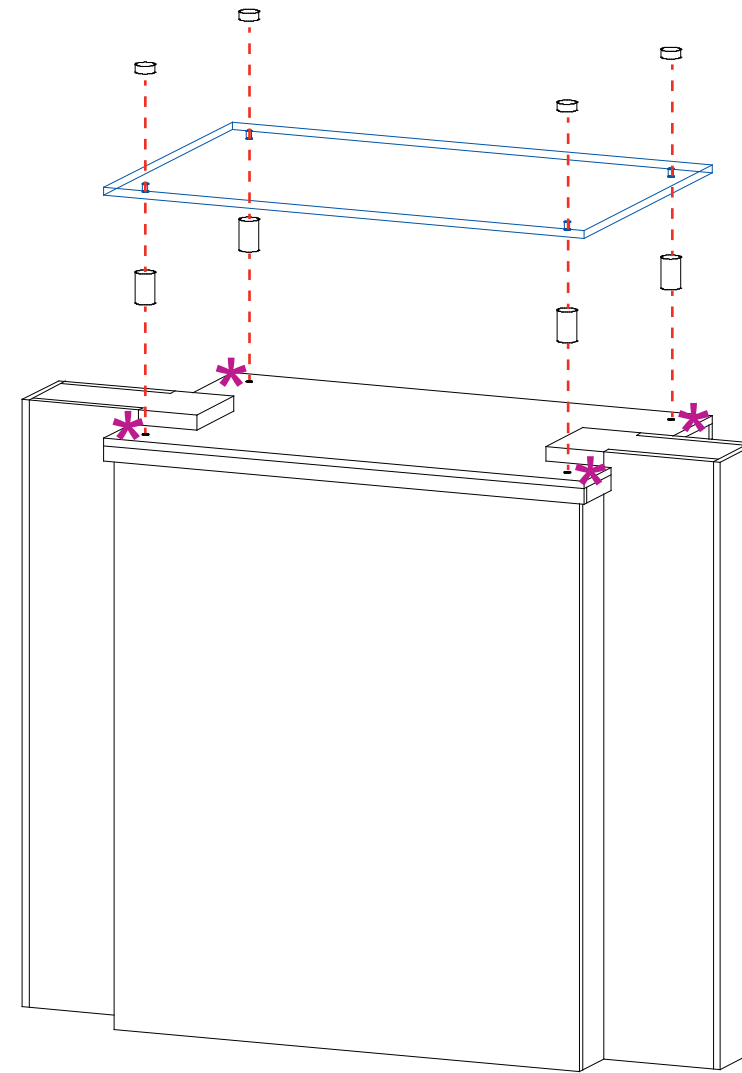


When assembled

**\* Plex Counter Attachment**

Attach stand-off barrels to primary counter top. Connect plex counter to primary counter top using screw caps.

**\*\*DO NOT OVER TIGHTEN. PLEX WILL CRACK\*\***



FRONT VIEW