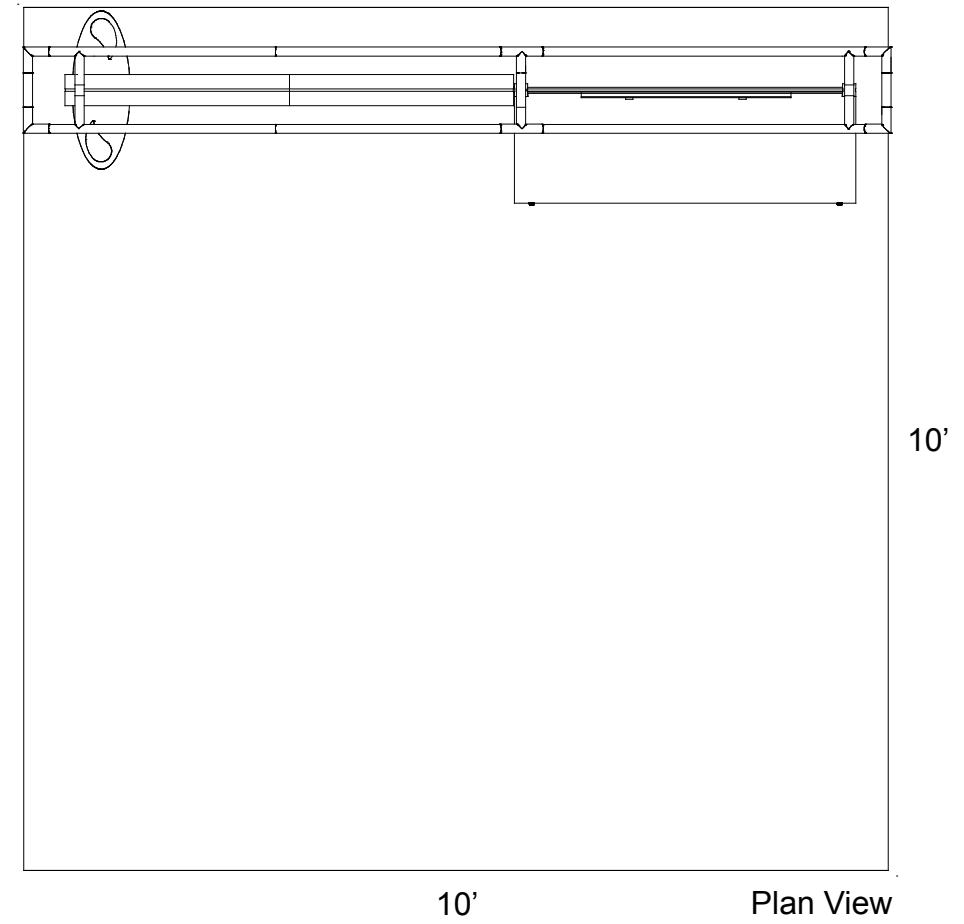
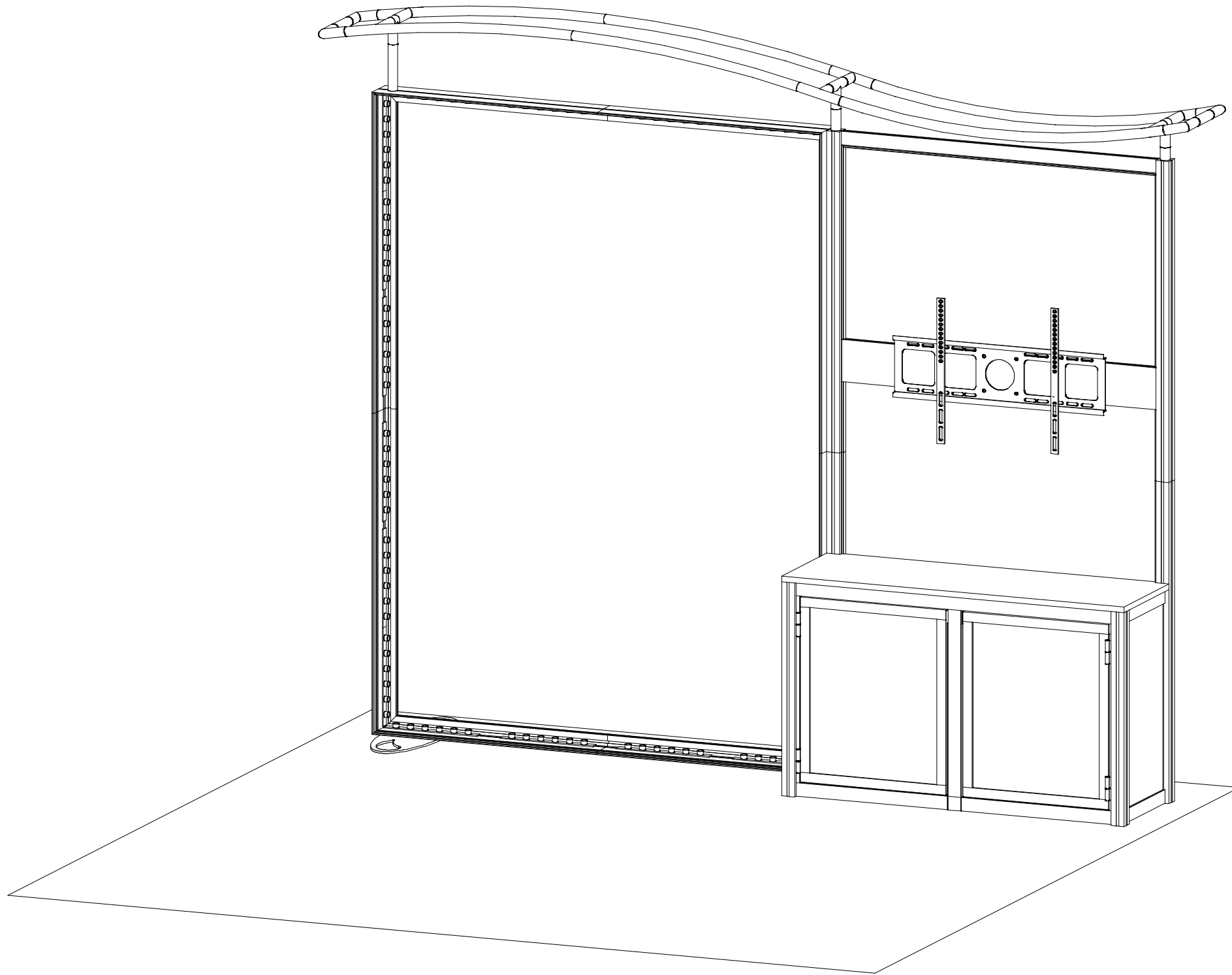
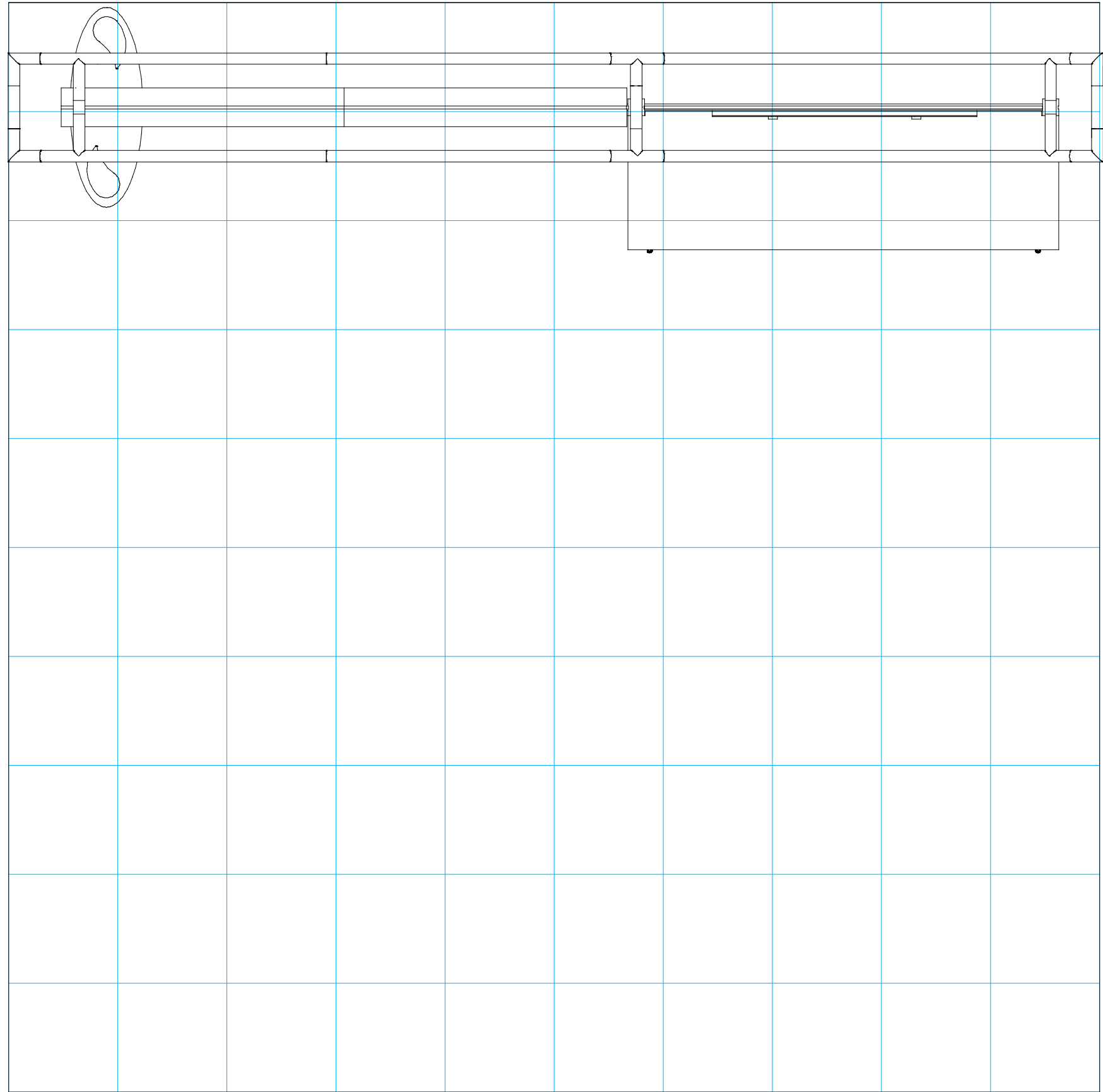


Order #XXXXX - ECO-1102 - 10'x10' Sustainable Exhibit





= 1 sq foot

## General Setup Instructions

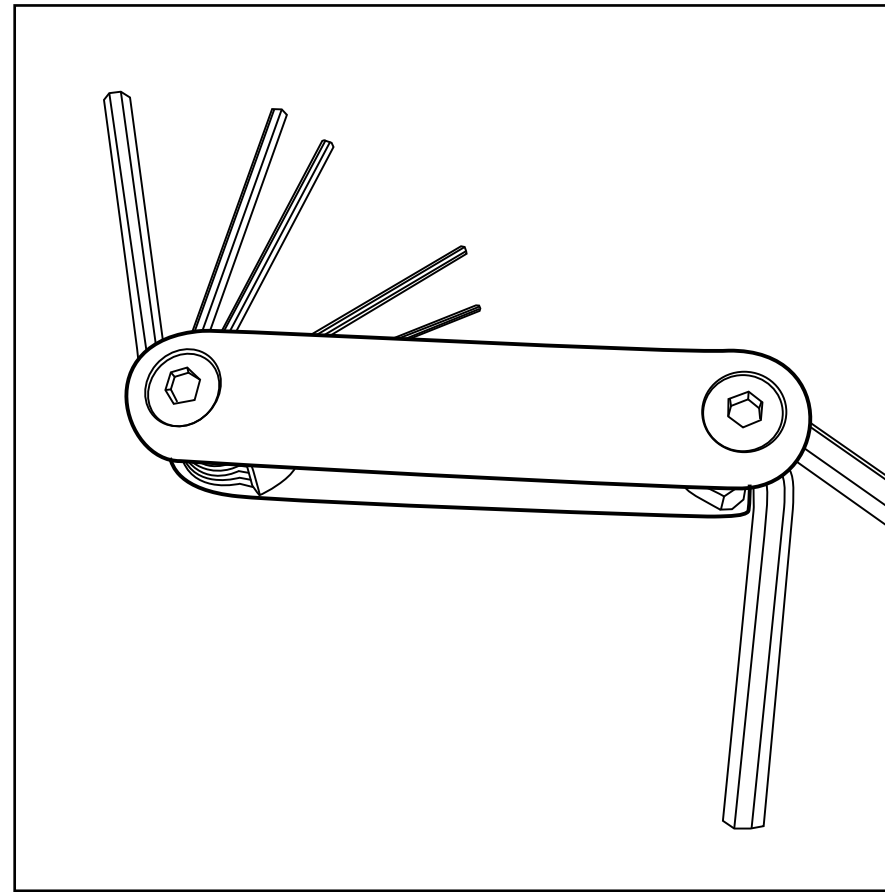
- The setup instructions are created specifically for your configuration.
- Setup instructions are laid out sequentially in levels, including exploded views and a logical series of steps for assembly. We encourage you to study the instructions before attempting to assemble your exhibit.

## Cleaning and Packing

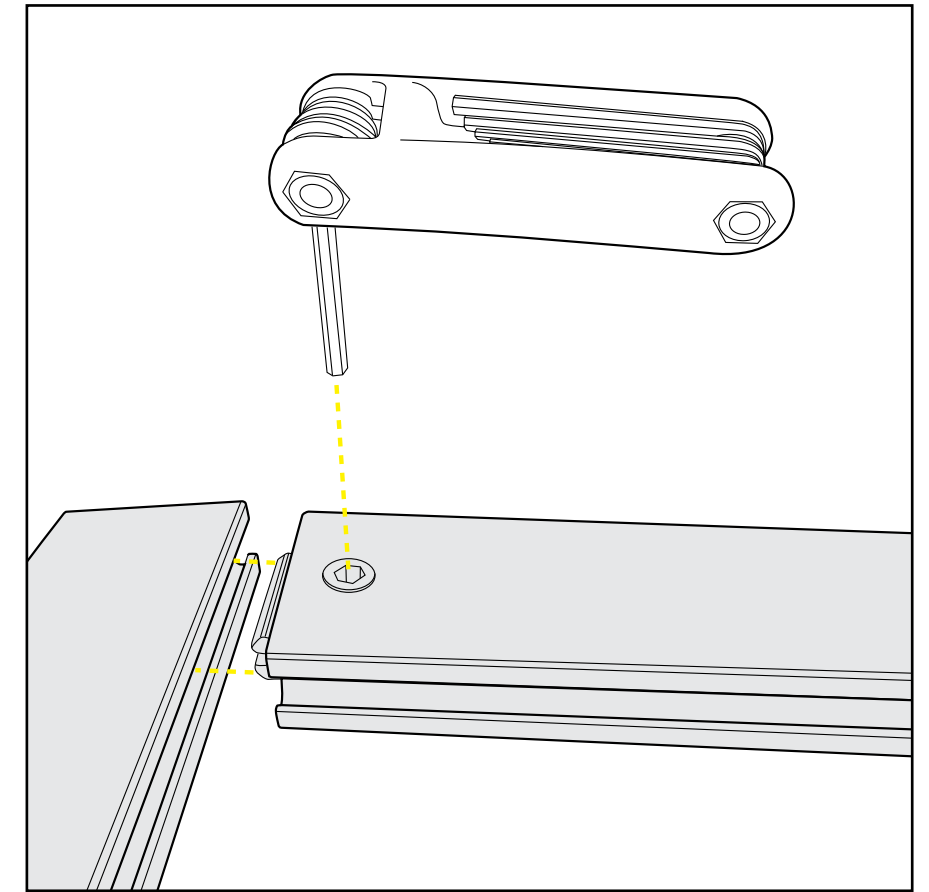
- Use non-abrasive cleaners when cleaning extrusions or ECO Glass inserts.
- Use mild cleaners and soft materials such as cotton to clean all laminates.
- Keep exhibit components away from extreme heat and long exposure to sun light. This will prevent warping and fading.
- Retain all packing material for ease of re-packing. This protects the exhibit components and keeps each part organized.

## Disassembling

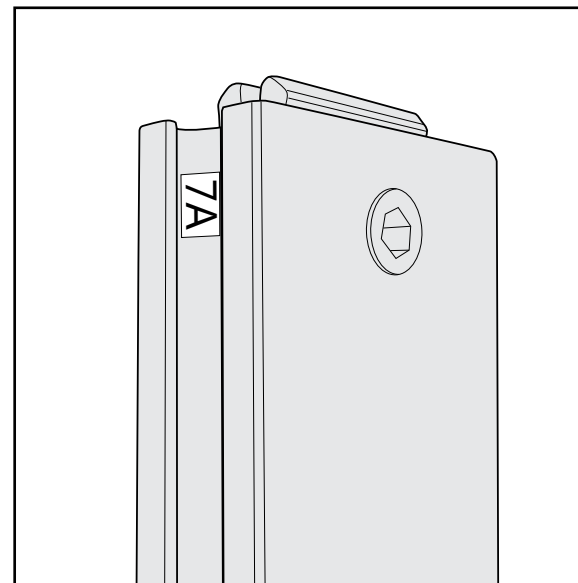
- When disassembling exhibit, tighten all setscrews to prevent loss of hardware in the shipping process.



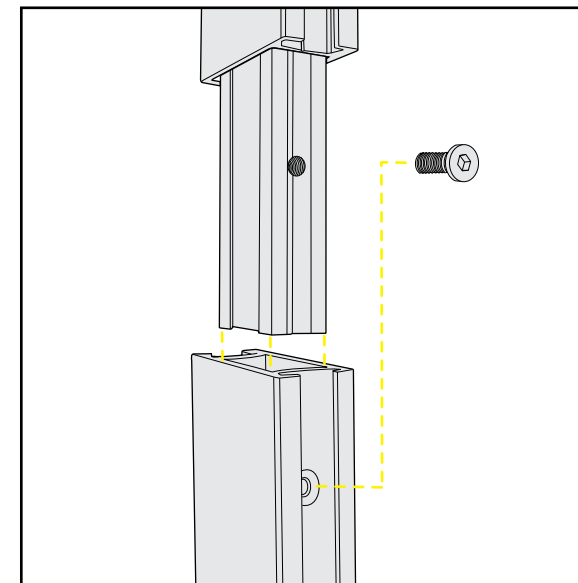
Hex Tool for Assembling Exhibit



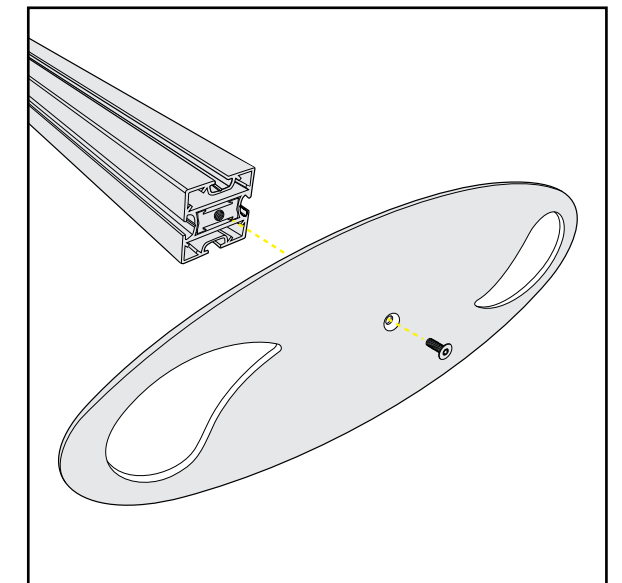
Extrusion Lock Connectors



Numbering Instructions for Setups/Packing



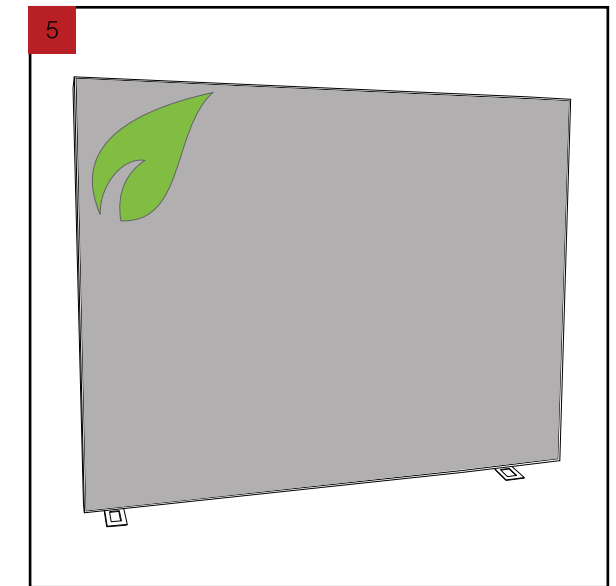
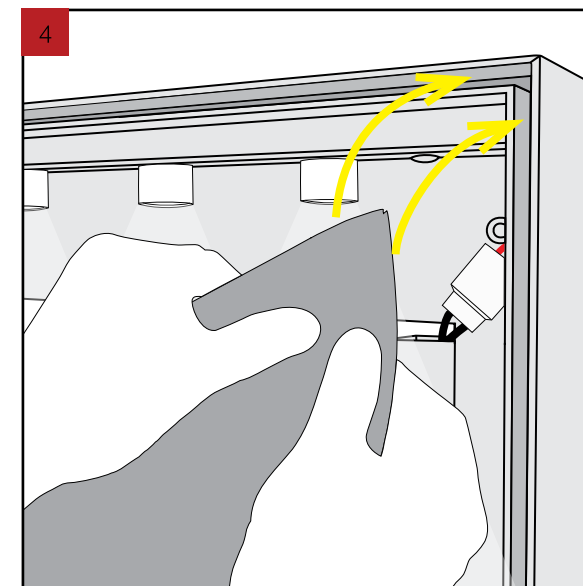
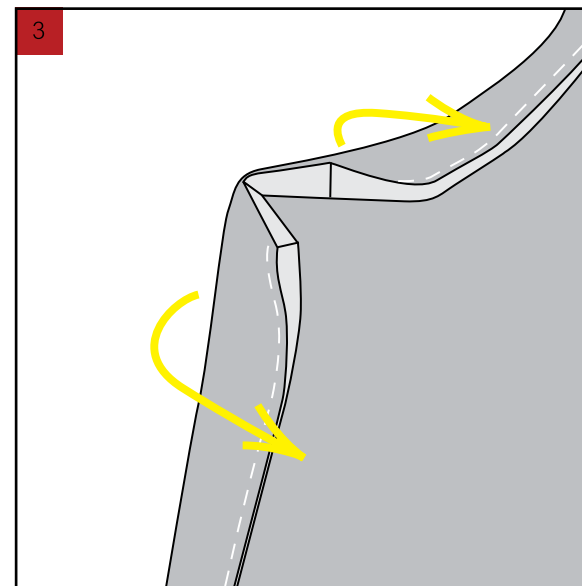
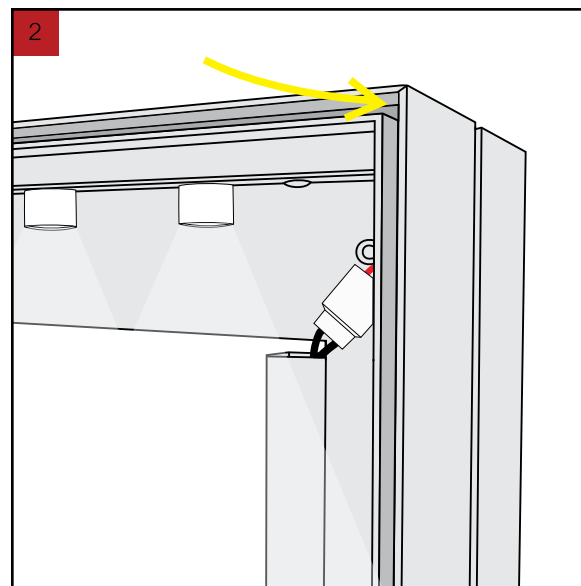
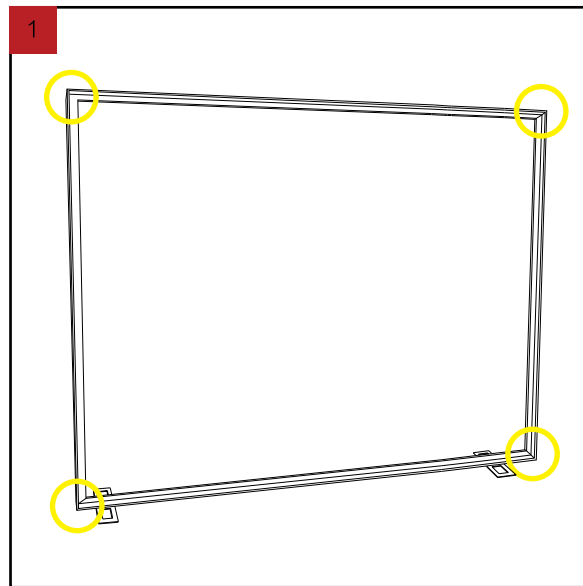
Inline Connection between Extrusions



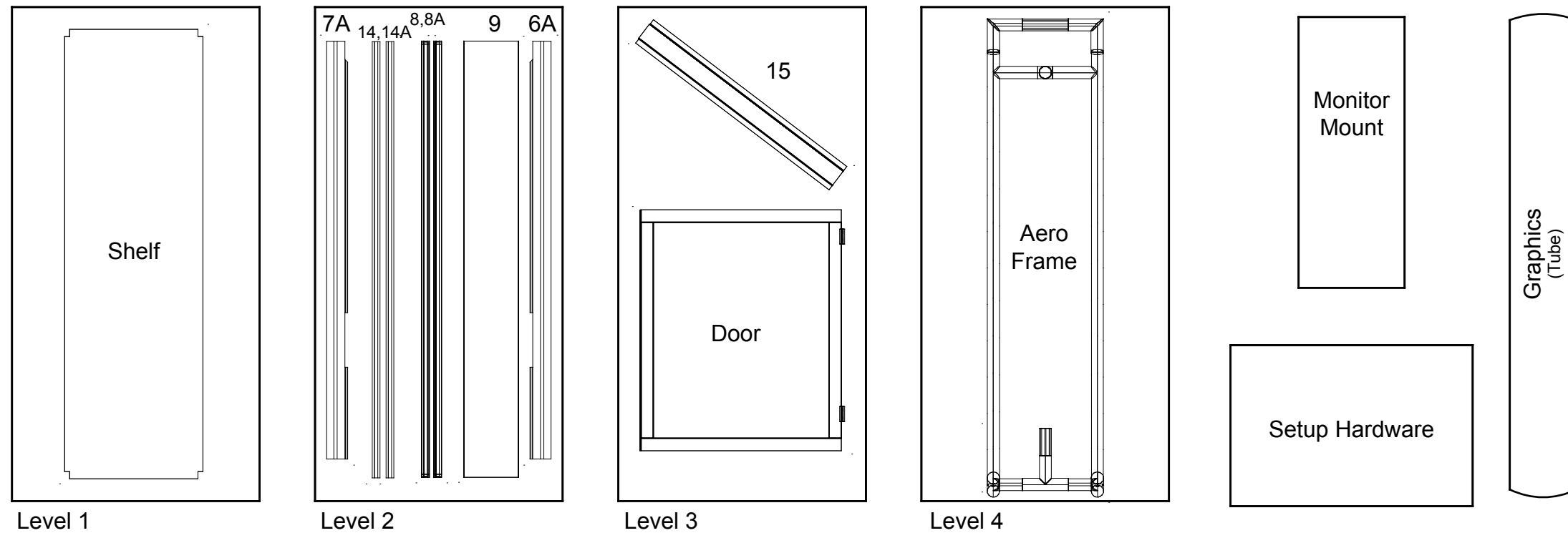
Baseplate Connection for Vertical Extrusions

## SEG Graphic Install

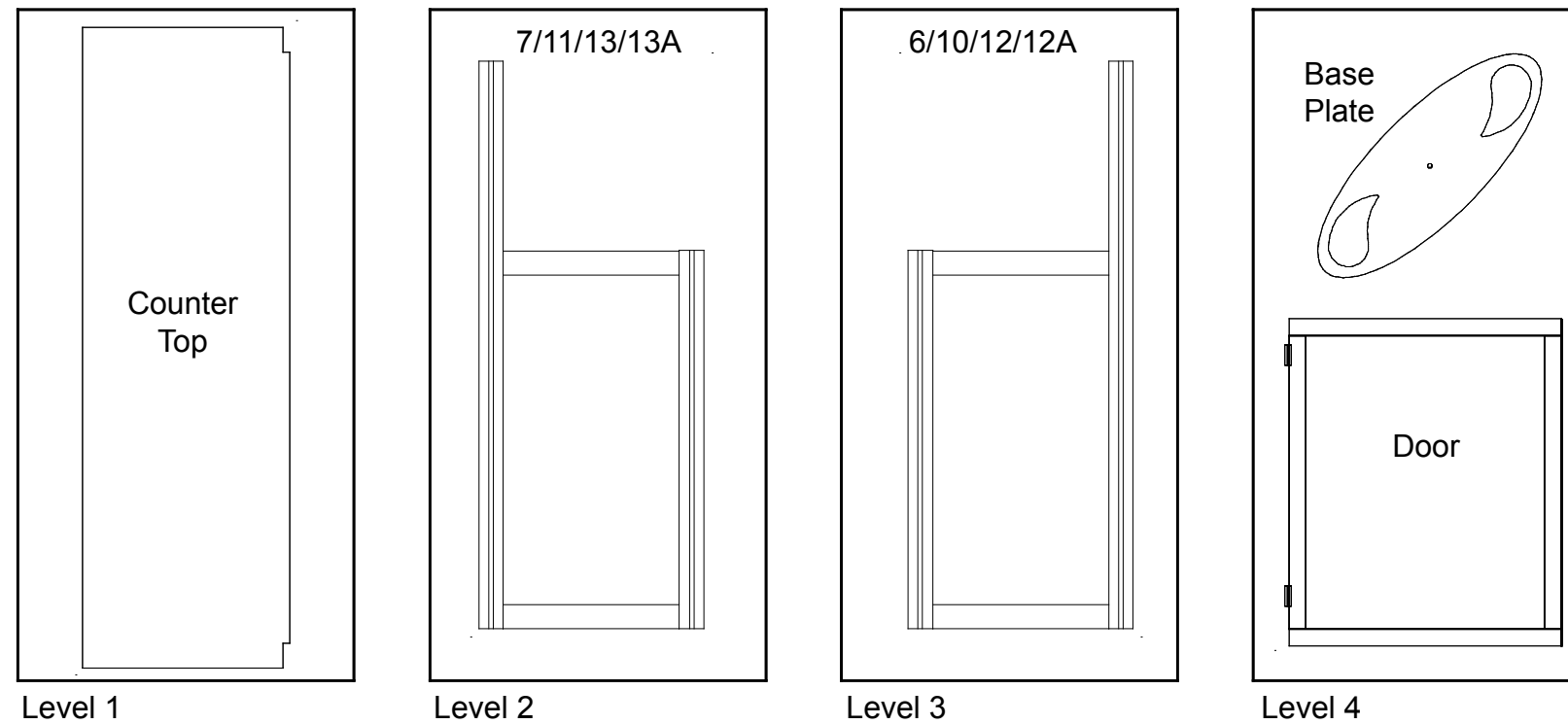
- 1 Graphic is installed corners first. This allows a proportional fit around the perimeter of the extrusion.
- 2 Locate channels along the edge of the extrusions.
- 3 Fold over graphic (hiding threads) and tuck silicon edge and fabric into corners.
- 4 After corners are complete, slide in the rest of the graphic into channel. (From edges to center)
- 5 Graphic is installed. Stand back and be amazed!



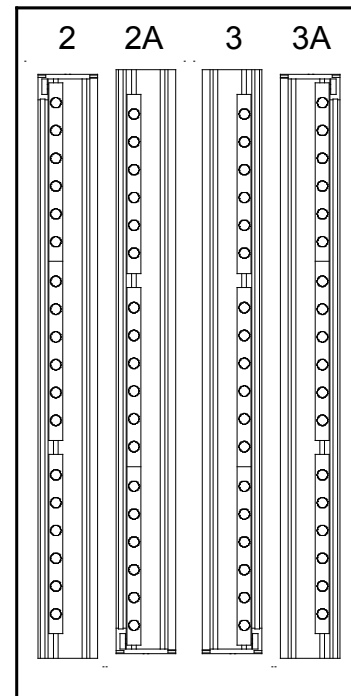
## Top View of Each Level



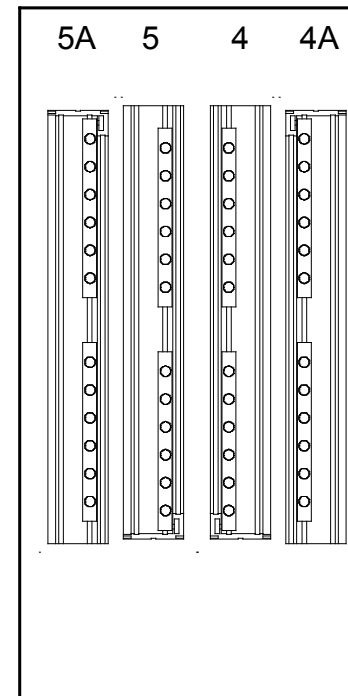
## Top View of Each Level



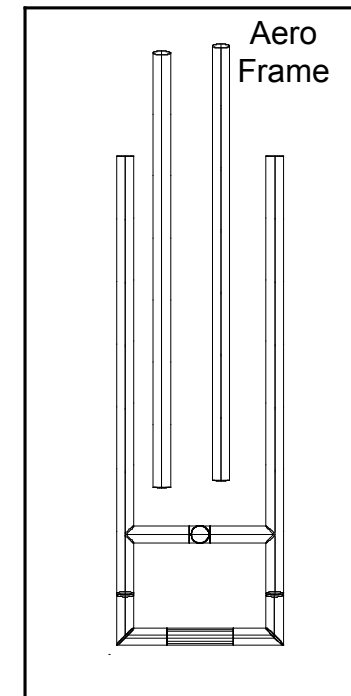
## Top View of Each Level



Level 1



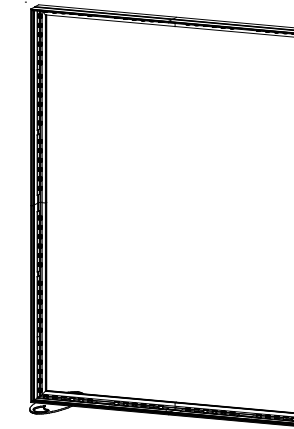
Level 2



Level 3

Item	Qty.	Description
1	1	Base Plate
2/2A	1/1	42" h CEI110 Vertical Extrusion
3/3A	1/1	42" h CEI110 Vertical Extrusion
4	1	31.125" w CEI110 Horizontal Extrusion w/ hole for base plate
4A	1	31.125" w CEI110 Horizontal Extrusion
5/5A	1/1	31.125" w CEI110 Horizontal Extrusion

- Steps:
- 1) Install Base Plate [1] to bottom of horizontal [4] using bolts & wing nuts.
  - 2) Assemble verticals [2-2A], [3-3A] & horizontals [4-5], [4A-5A] together. See **CEI-110 Straight Connection** detail.
  - 3) Attach horizontal assemblies [4/5], [4A/5A] between vertical assemblies [2/2A], [3/3A]. See **CEI-110 Corner Connection** detail.
  - 4) Connect power cords to Supernova lights as shown.



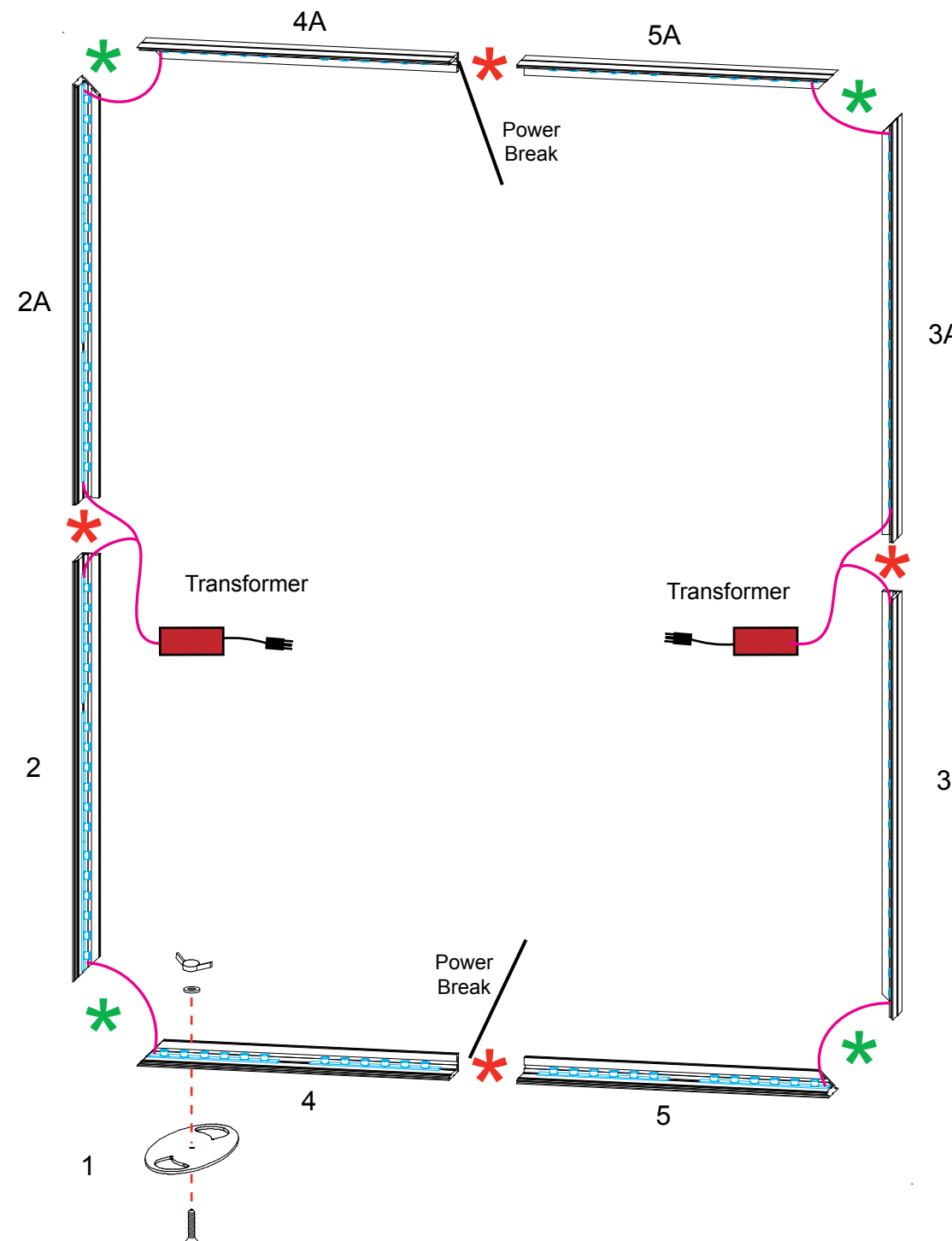
When assembled

**Light to Light Attachment**

**Light to Transformer Attachment**

Transformer  
144W / 6 Amp / 24V

Maximum of 7 lights per chain,  
14 lights per Transformer



**\* CEI-110 Straight Connection**

1. Insert TSRV4 Bracket into center groove & V4 Connector into front groove of extrusion.
2. Slide Connecting extrusion over exposed end of bracket & connector.
3. Use Set Screws to secure extrusions.

**\* CEI-110 Corner Connection**

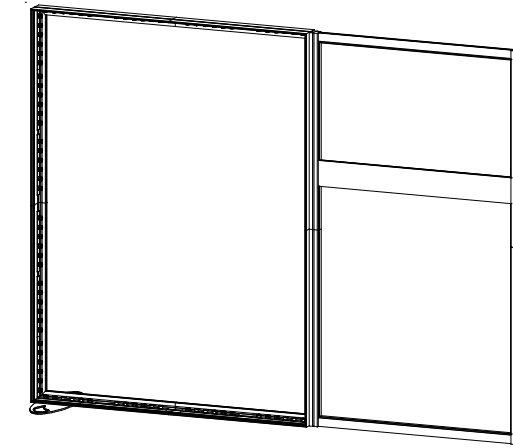
- 1) Insert TSRV2 and A1 Brackets into milled groove of extrusion.
- 2) Slide connecting extrusion over exposed end of brackets.
- 3) Use Set screws to secure extrusions.



Item	Qty.	Description
6/6A	1/1	42”h S44 Vertical Extrusion w/ TSP3
7/7A	1/1	42”h S44 Vertical Extrusion w/ TSP3
8/8A	1/1	43.75”w Z45 Horizontal Extrusion w/ TSP3
9	1	43.75”w Z140 Horizontal Extrusion
--	2	41.875”h V31 Connector

Steps:

- 1) Connect verticals [6-6A], [7-7A] together. See **S44 Connection** detail.
- 2) Attach horizontals [8,8A] & [9] between vertical assemblies [6/6A], [7/7A].
- 3) Connect right frame assembly to left lightbox assembly using V31 connectors. See **V31 Connection** detail.



When assembled

**\* S44 Connection**

Slide extrusion over connector and rest on lower vertical; secure with screws.

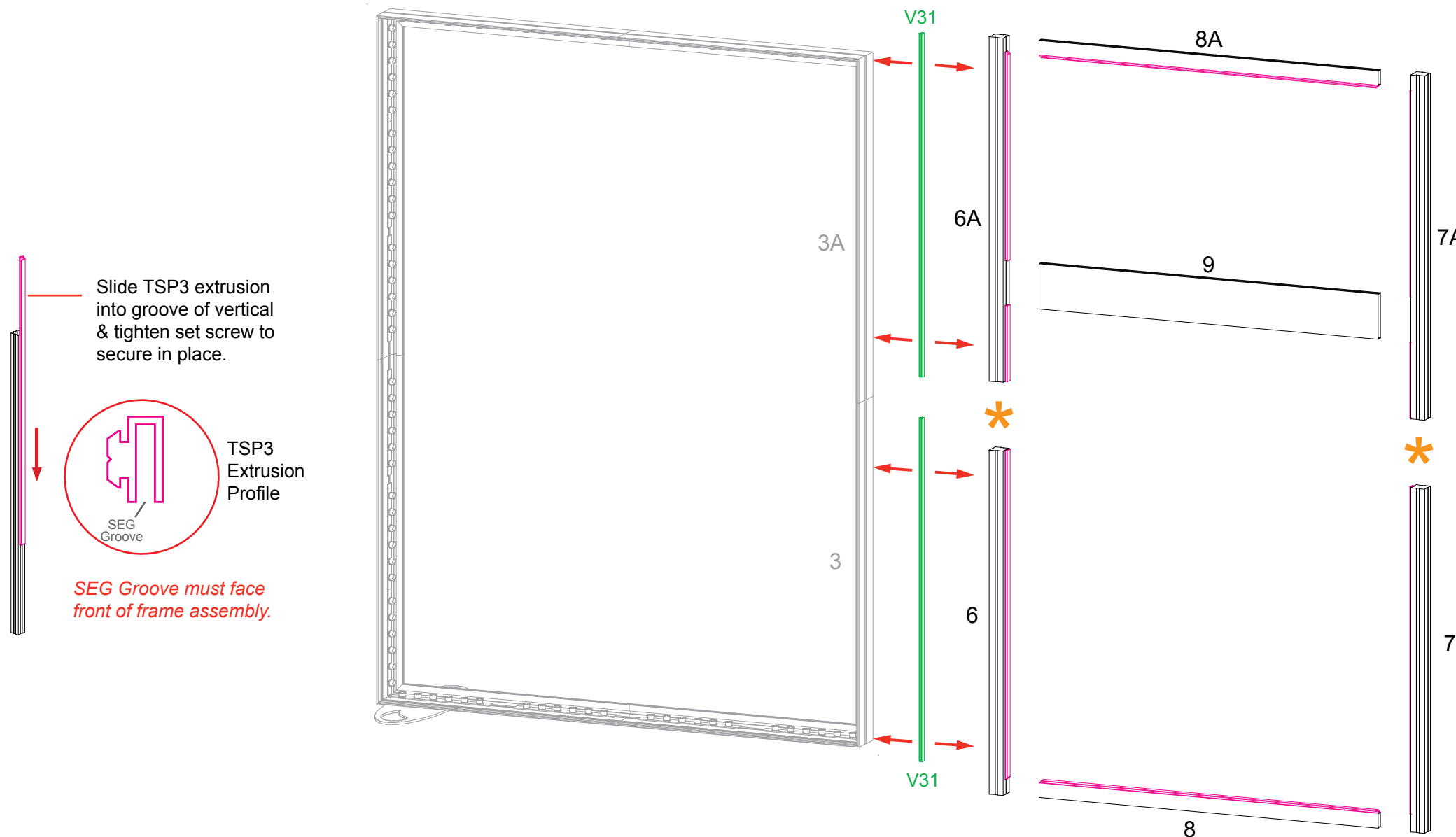
**\*\*To prevent product loss, Keep all screws attached to connector piece after disassembling**

**V31 Connection**

Slide V31 connector into channels of vertical extrusions.

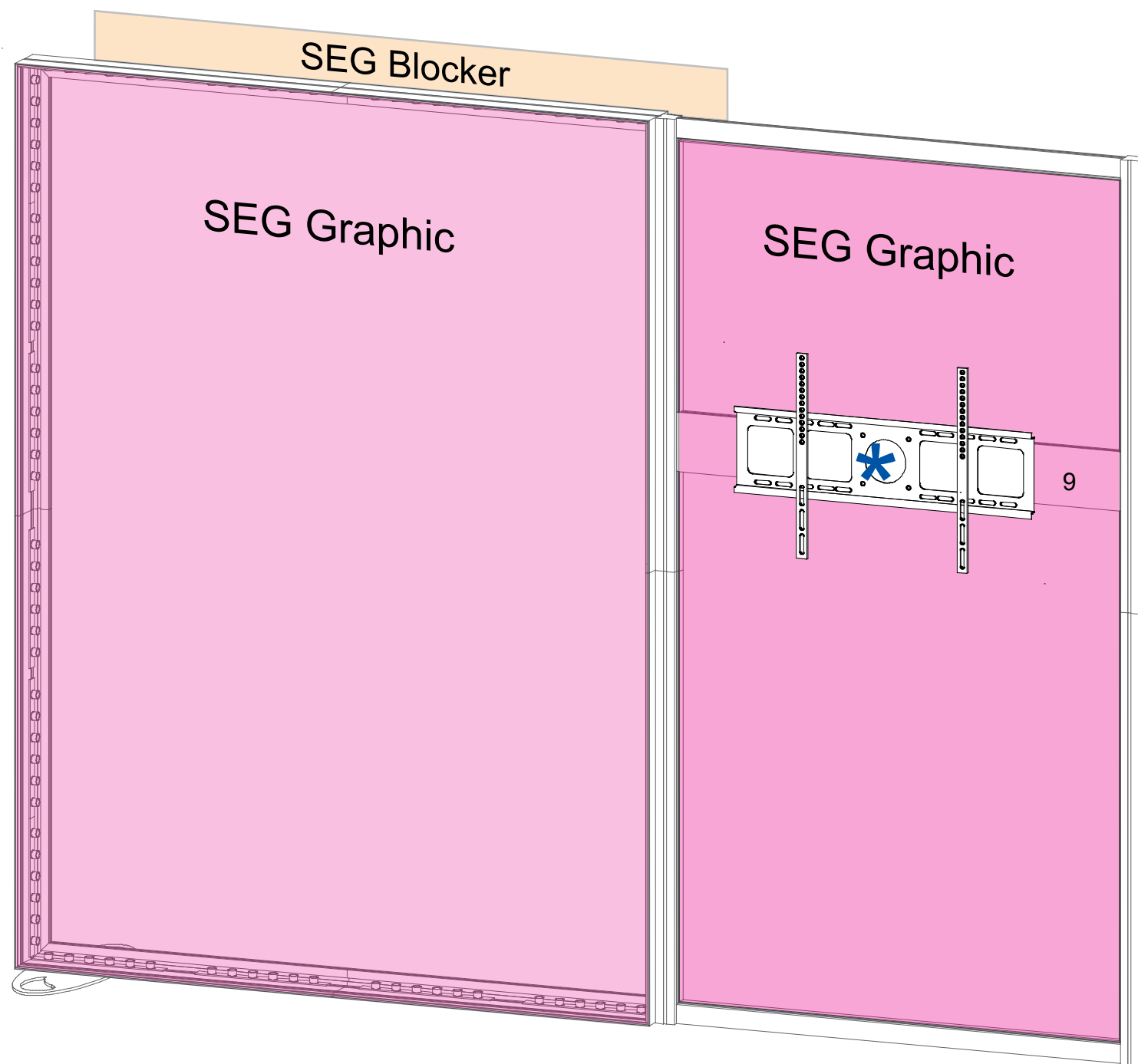
Tighten set screws to secure.

**Top View**

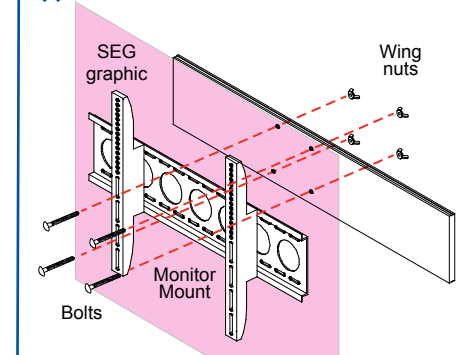


Steps:

- 1) Apply SEG Graphics to front of lightbox & side frames.
- 2) Apply SEG Blocker to back of lightbox frame.
- 3) Install Monitor Mount to horizontal [9]. See [Monitor Mount Attachment](#) detail.



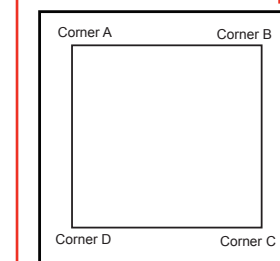
\* Monitor Mount Attachment



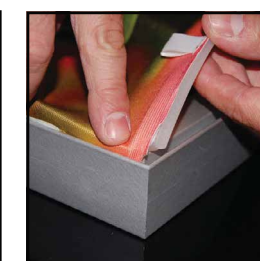
Install Monitor Mount to horizontal extrusion using bolts & wing nuts.

*Note: Monitor mounts install over SEG graphic.*

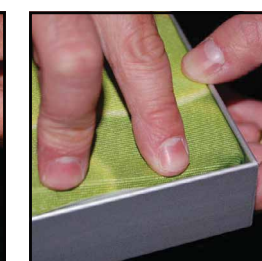
SEG Graphic Installation



It is important to first insert graphic into each alternate corner, then to the sides of the frame. If this is not done, graphic will not fit into the frame correctly.



Step 1  
Insert corner A. Turn edge of graphic so silicon welt is perpendicular to face of graphic. Insert narrow side of welt with fabric to outside into the channel. Repeat for other side of this corner.

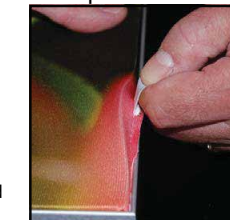


Step 2  
Repeat Step 1 for opposite corner C, then insert corner B, followed by corner D, to complete the installation of the corners.



Step 3  
Once all corners are inserted, press one silicon edge into channel from corners and work toward the center. Make sure welt is fully inserted into channel. Continue until all sides are done. Smooth out edges of graphic.

Graphic Removal

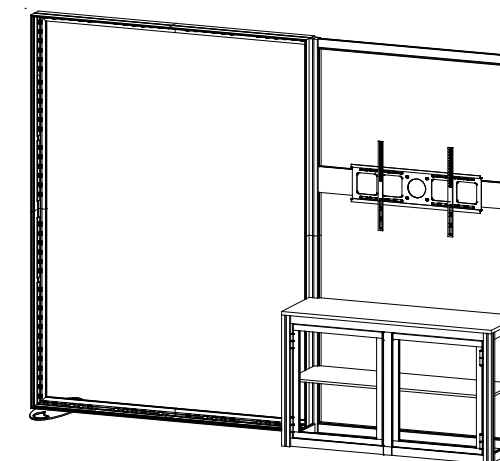


To remove the graphic from the frame, locate the fabric pull tab. Gently pull up on the tab to remove the fabric.

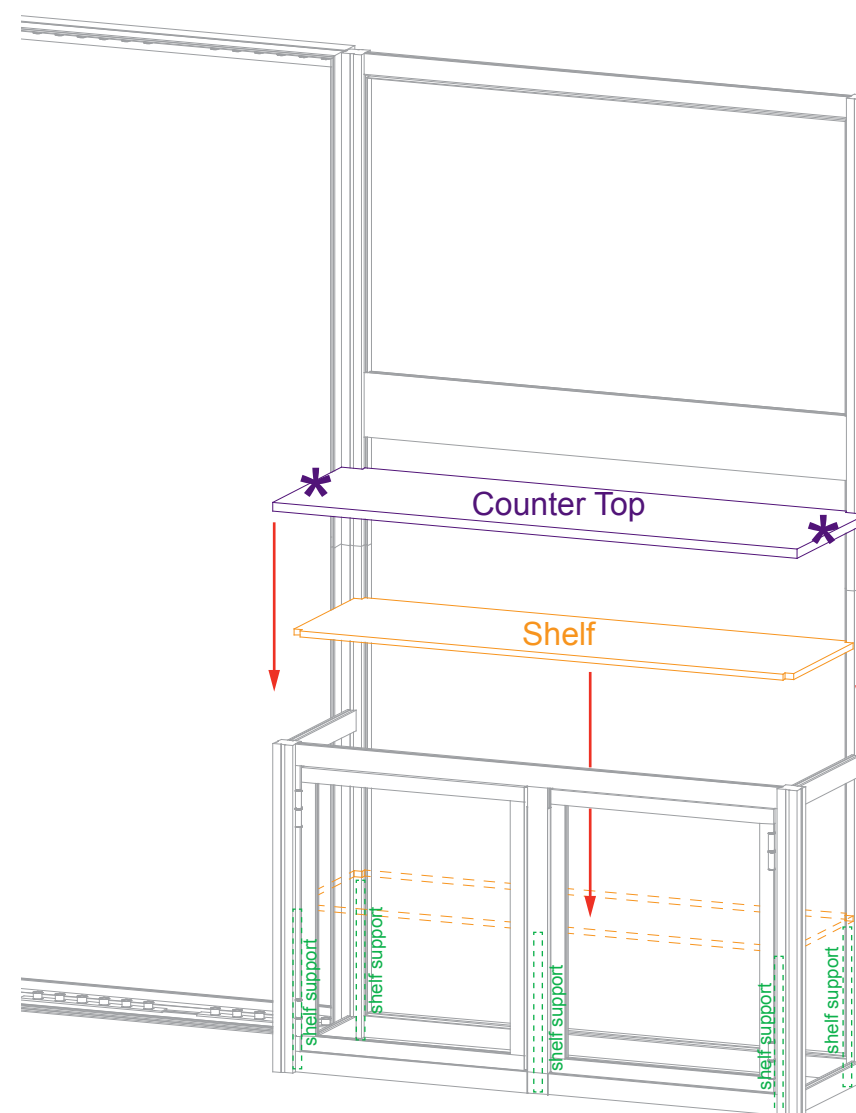
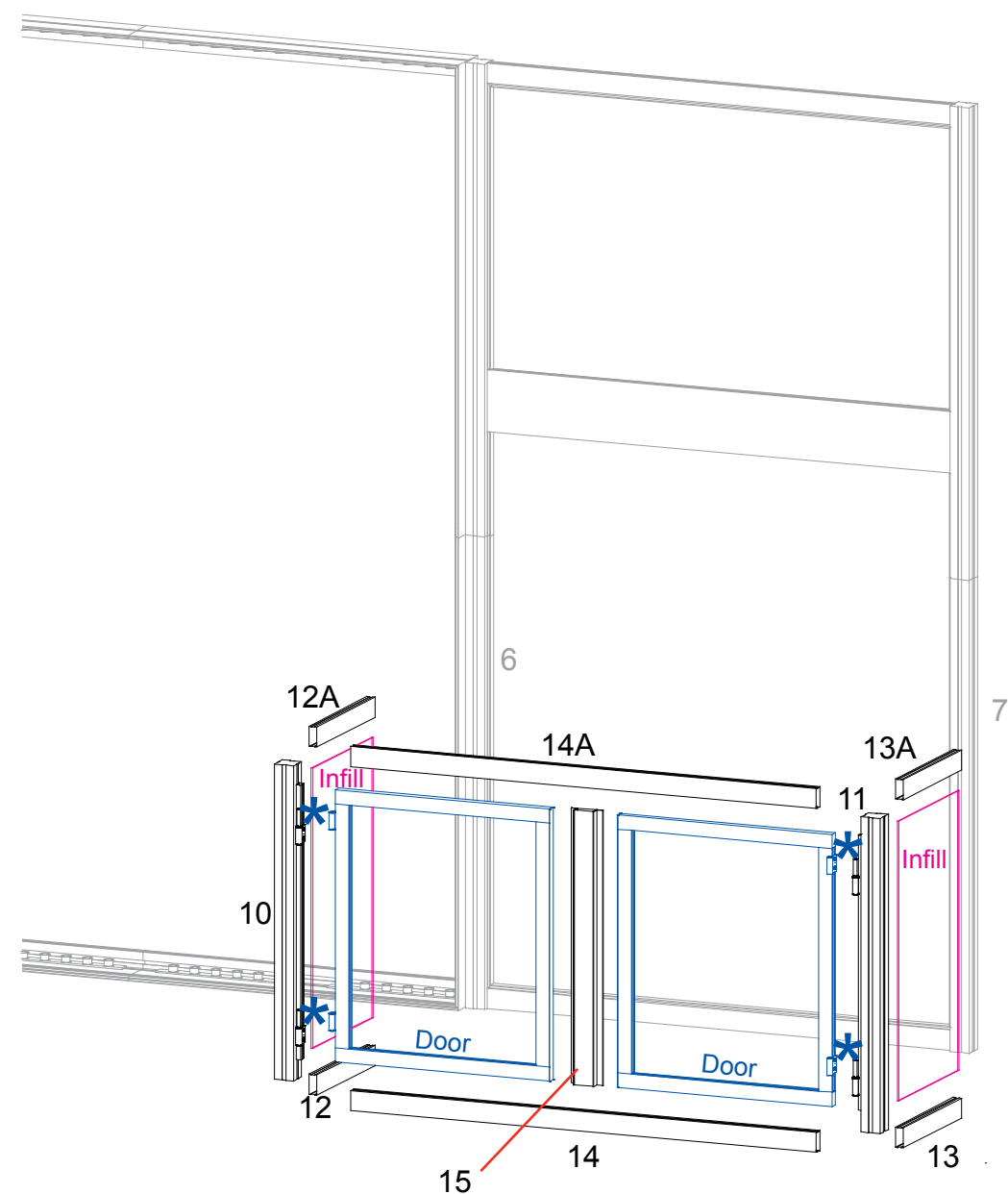
Item	Qty.	Description
10	1	28”h S44 Vertical Extrusion w/ Door Hinge
11	1	28”h S44 Vertical Extrusion w/ Door Hinge
12/12A	1/1	13”w Z45 Horizontal Extrusion
13/13A	1/1	13”w Z45 Horizontal Extrusion
14/14A	1/1	43.75”w Z45 Horizontal Extrusion
15	1	24.417”h Z45 Vertical Extrusion w/ Door Stops
--	5	14”h Shelf Support

Steps:

- 1) Attach horizontals [12,12A] between vertical [10] & backwall vertical [6], inserting **infill**.
- 2) Connect horizontals [13,13A] between vertical [11] & backwall vertical [7], inserting **infill**.
- 3) Assemble horizontals [14,14A] between verticals [10,11].
- 4) Attach vertical [15] between horizontals [14,14A].
- 5) Install Doors onto verticals [10,11]. See [Door Attachment](#) detail.
- 6) Affix **Shelf Supports** to inside of cabinet assembly; place internal **Shelf**.
- 7) Attach Counter Top to top of cabinet assembly. See [Counter Top Attachment](#) detail.

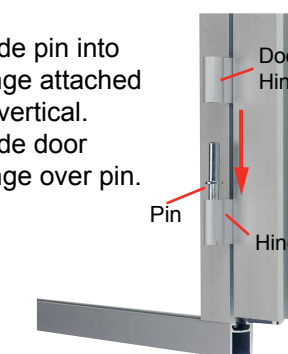


When assembled

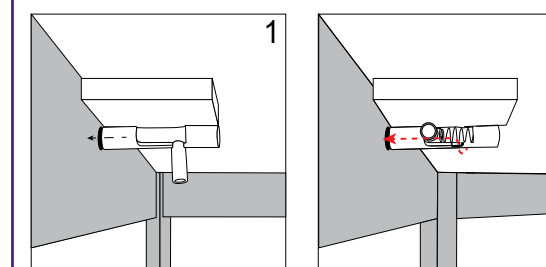


\* Door Attachment

Slide pin into hinge attached to vertical. Slide door hinge over pin.



\* Counter Top Attachment



Align hole with pin.

Rotate pin. Spring will push pin into hole.

# AERO

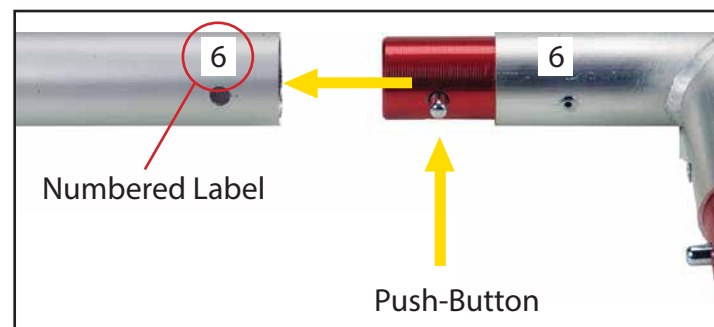
## Using Your Setup Instructions

The Aero Setup Instructions are created specifically for your configuration. The instructions include an exploded view of the frame which is sequentially labeled. We encourage you to review the instructions before attempting to assemble your exhibit.

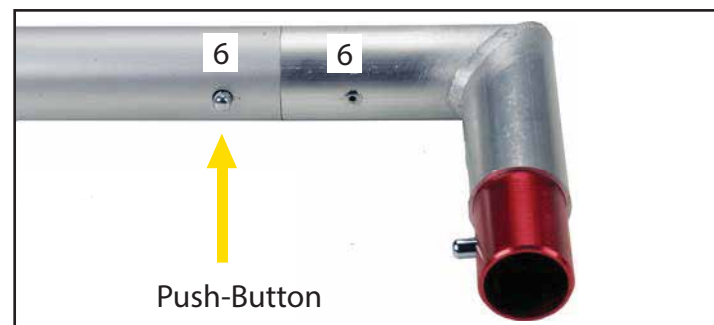
Connections are kept very simple; no tools required. Everything assembles with push-button connectors.

## Cleaning and Packing Your Display

- 1) Use care when cleaning aluminum extrusion or acrylic inserts. Use only non-abrasive cleaners.
- 2) Retain all packing material. It will make re-packing much easier and will reduce the likelihood of shipping damage.

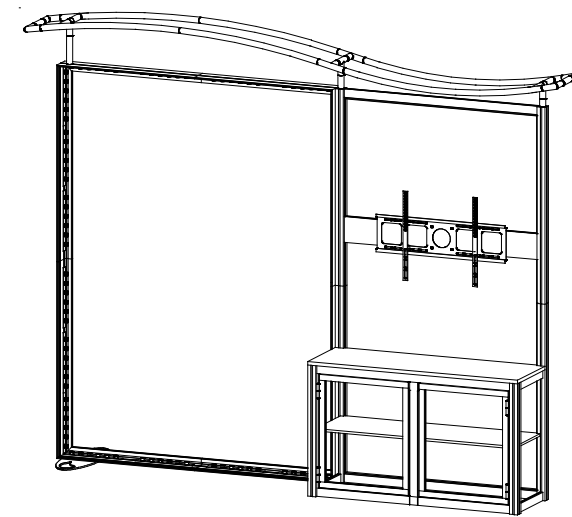


Connections are made by holding the button down and sliding the red tube into opposing tube until the connection is made. To disassemble push button and pull or twist extrusions apart.



## Steps:

- 1) Connect canopy pieces together as shown.
- 2) Apply Pillowcase Graphic to assembled canopy.
- 3) Attach Canopy to backwall using canopy mounts, as shown in details.



When assembled

