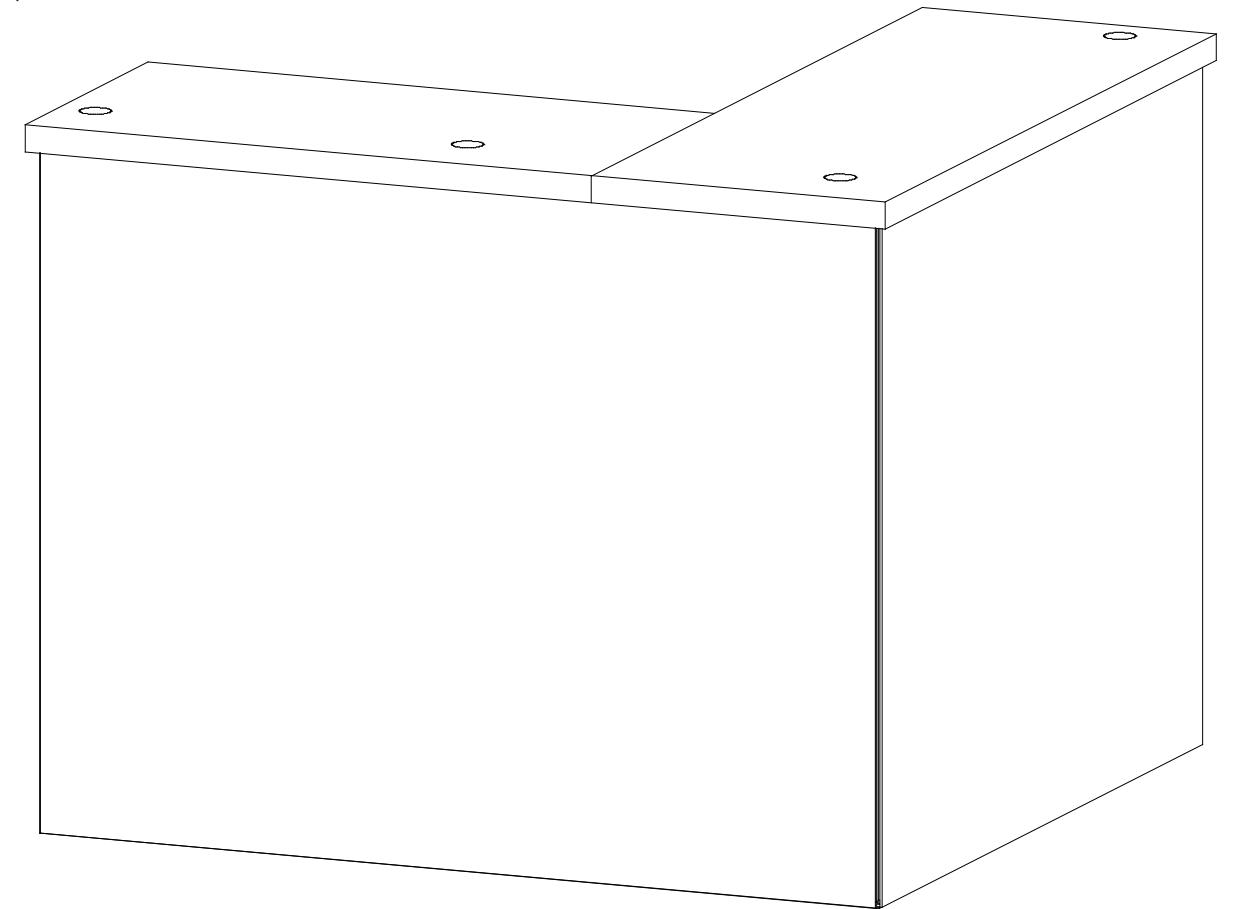


BACK VIEW



FRONT VIEW

SETUP INSTRUCTIONS

General Setup Instructions

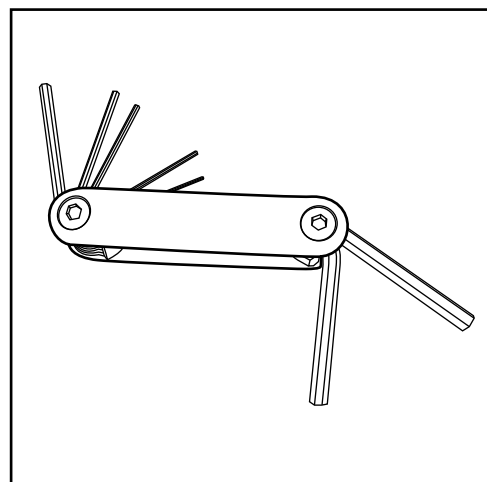
- Read entire setup instruction manual prior to unpacking parts and pieces.
- The setup instructions are created specifically for this configuration.
- Setup instructions are laid out sequentially in steps, including exploded views with detailed explanation for assembly.

Cleaning & Packing

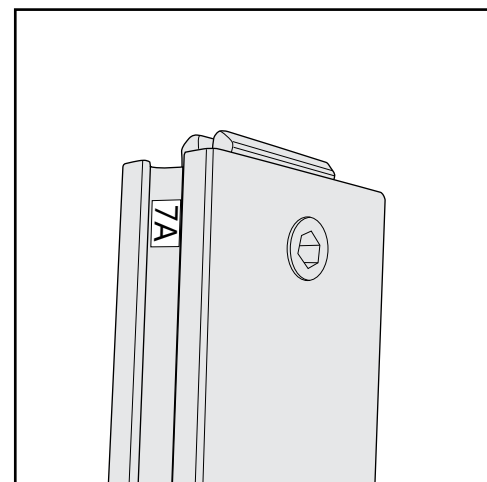
- For Cleaning Metal, Plex, & Laminate Parts: Use a **MILD NON-ABRASIVE** cleanser and soft cloth/paper towel to clean all surfaces.
- Keep exhibit components away from heat and prolonged sun exposure.
Heat and UV exposure will warp and fade components.
- Retain all provided Packing Materials. All provided packing materials are for ease of repacking & component protection.

Disassembly

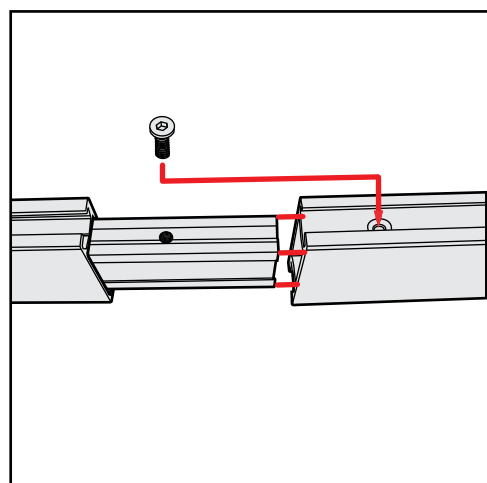
- For loss prevention, tighten all set screws and locks during disassembly.



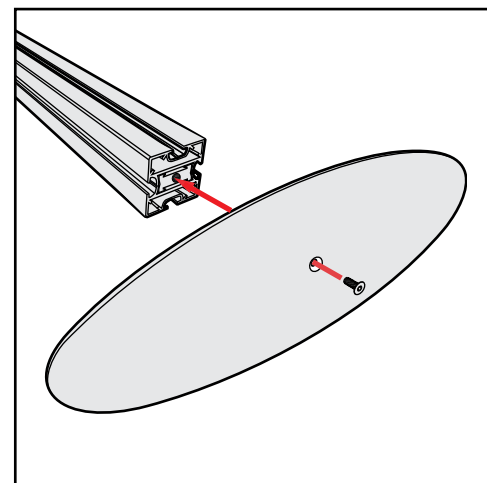
Hex Tool - Essential for Assembly



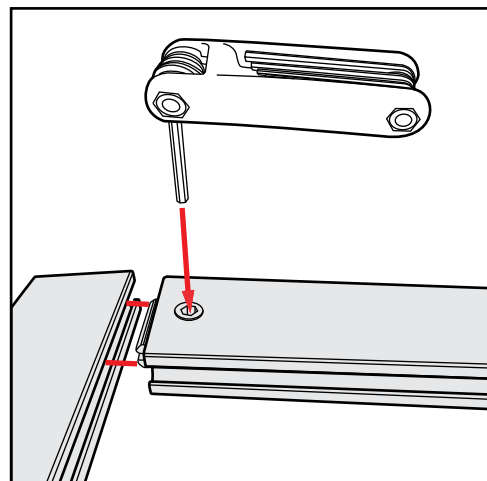
Part Identification - Numbering



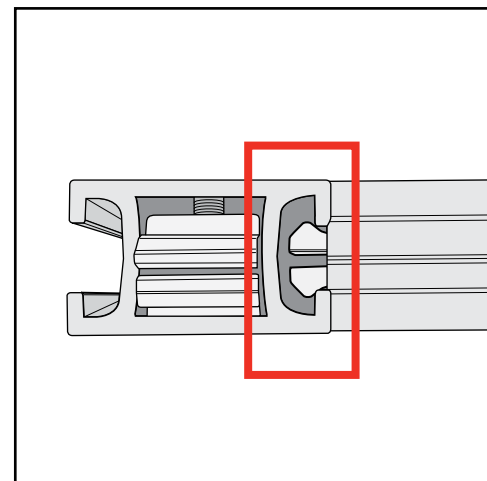
Spline Connection



Base Plate & Extrusion Connection



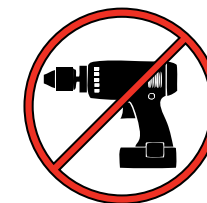
Extrusion & Lock Connection



Engaged Lock



WARNING



DO NOT USE POWER TOOLS



LADDERS OR LIFTS
MAY BE REQUIRED



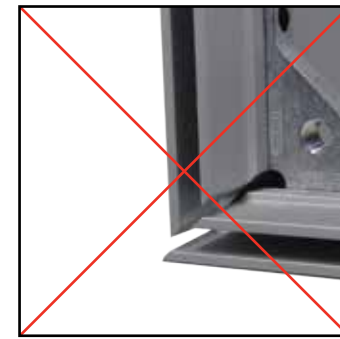
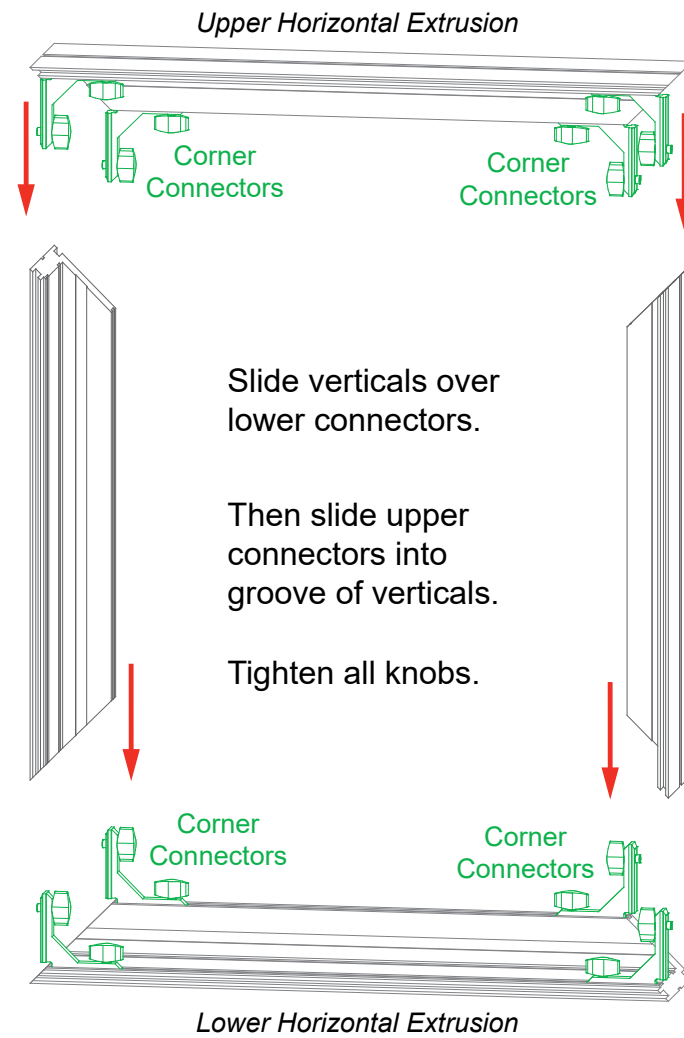
ALL CONNECTIONS MUST
BE TIGHTLY SECURED

CEI110 Corner Connection:

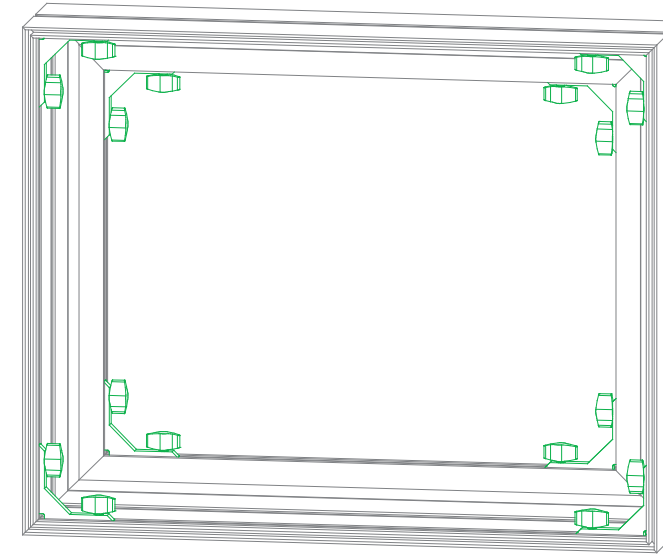
- 1) Loosen knobs, then slide vertical extrusions onto **corner connectors** of **lower** horizontal extrusion.
- 2) Slide **corner connectors** of **upper** horizontal extrusion into grooves of vertical extrusions.
- 3) Tighten all knobs to secure connection.

Disassembly:

- 1) Loosen knobs on vertical extrusions.
- 2) Slide the vertical extrusions off of **corner connectors** on lower and upper horizontal extrusions.

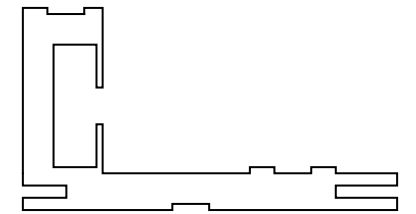


Adjust connectors if necessary to prevent gaps in connection.



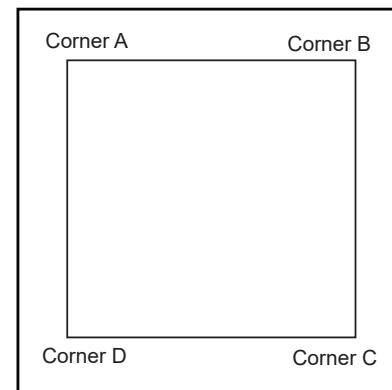
COMPLETED ASSEMBLY

All knobs must be tightened securely to ensure a proper connection.

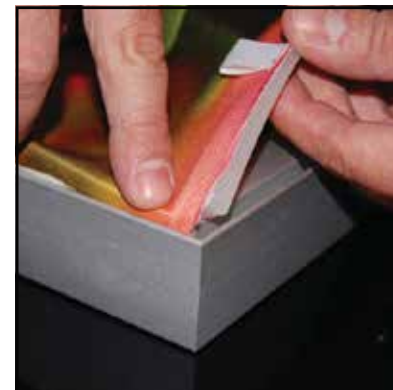


CEI110 Extrusion Profile

SEG Graphic Installation



It is important to first insert graphic into each alternate corner then to the sides of the frame. If this is not done, graphic will not fit into the frame correctly.



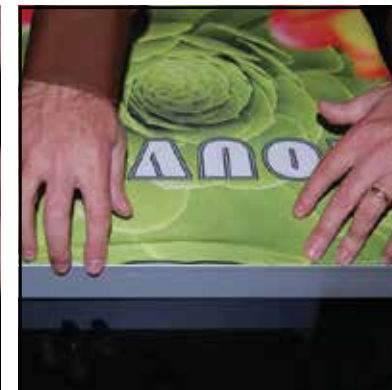
Step 1

Insert corner A. Turn edge of graphic so silicon welt is perpendicular to face of graphic. Insert narrow side of welt with fabric to outside into the channel. Repeat for other side of this corner.



Step 2

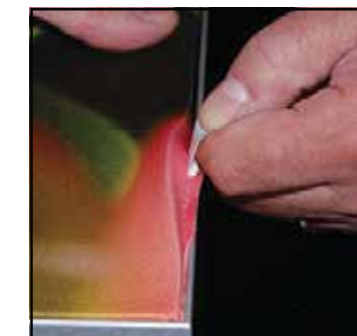
Repeat Step 1 for opposite corner C, then insert corner B, followed by corner D, to complete the installation of the corners.



Step 3

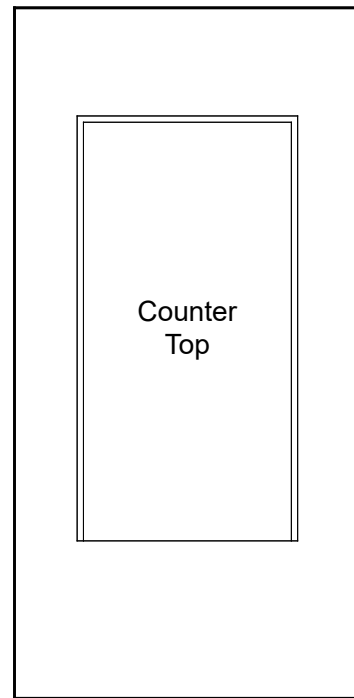
Once all corners are inserted, press one silicon edge into channel from corners and work toward the center. Make sure welt is fully inserted into channel. Continue until all sides are done. Smooth out edges of graphic.

Graphic Removal

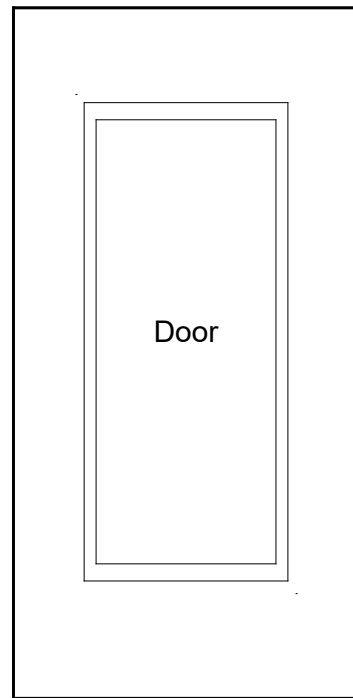


To remove the graphic from the frame, locate the fabric pull tab. Gently pull up on the tab to remove the fabric.

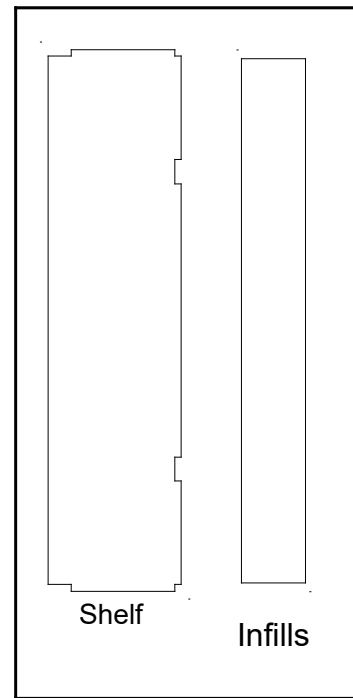
Top View of Each Level



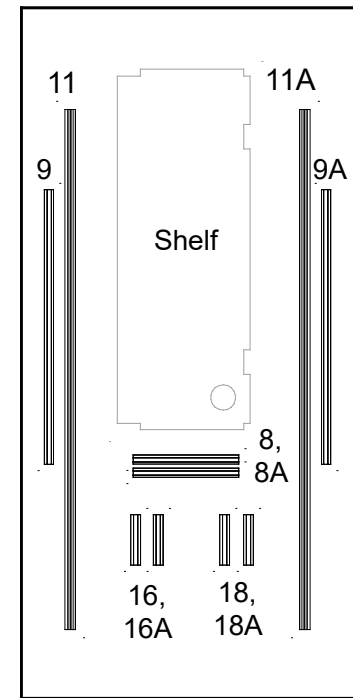
Level 1
(Bottom level)



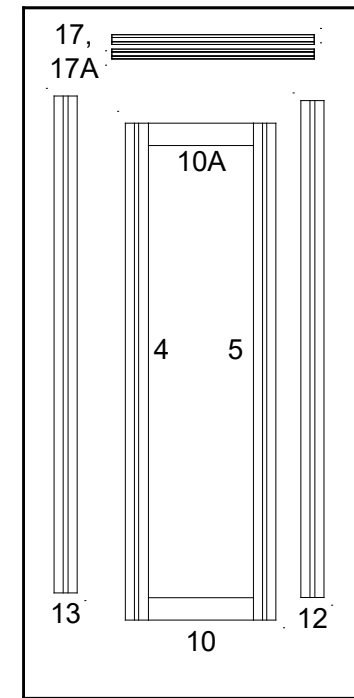
Level 2



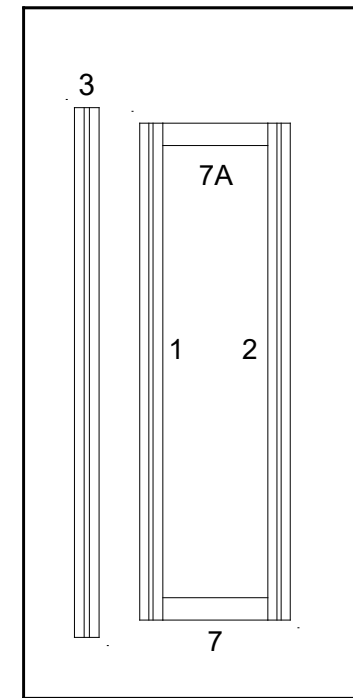
Level 3



Level 4

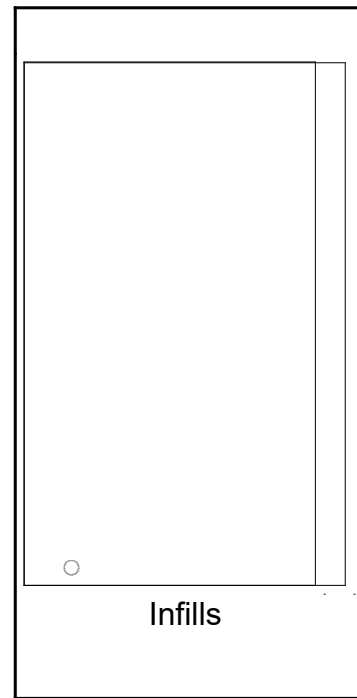


Level 5

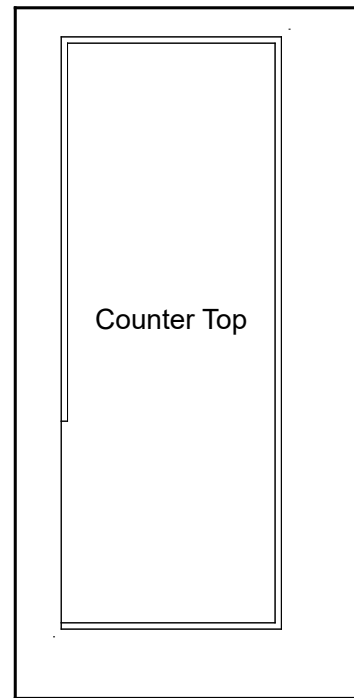


Level 6

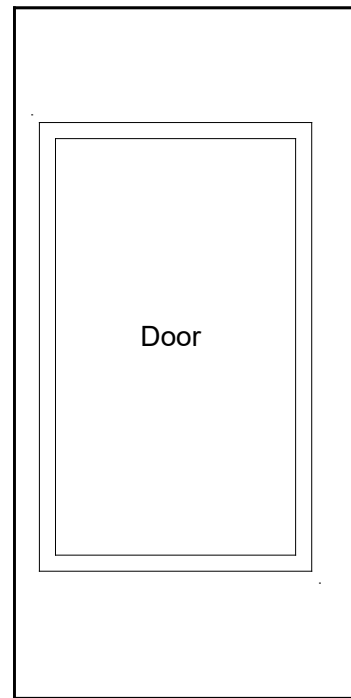
Top View of Each Level



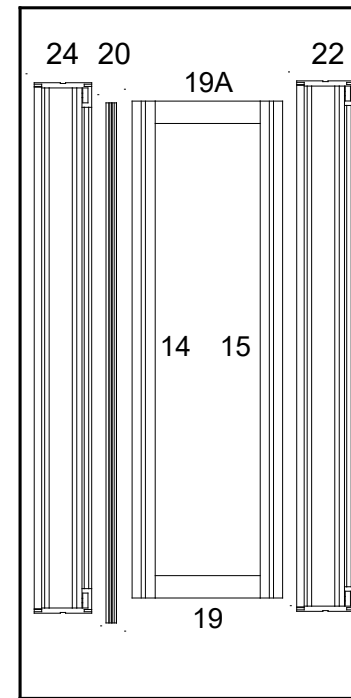
Level 1
(Bottom level)



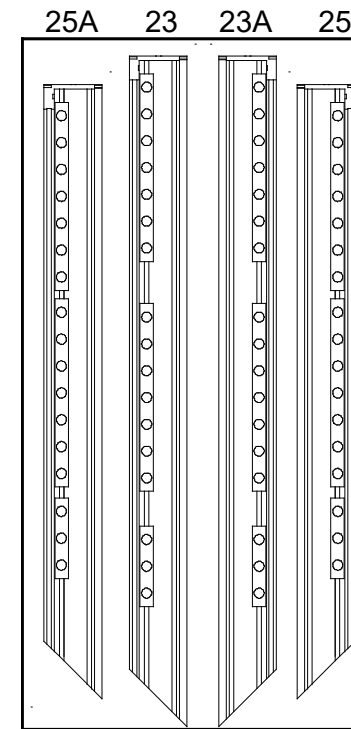
Level 2



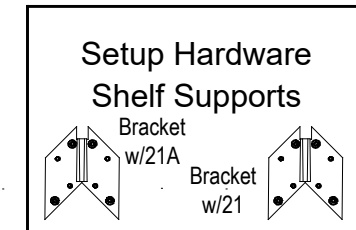
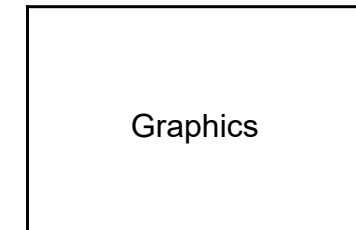
Level 3



Level 4

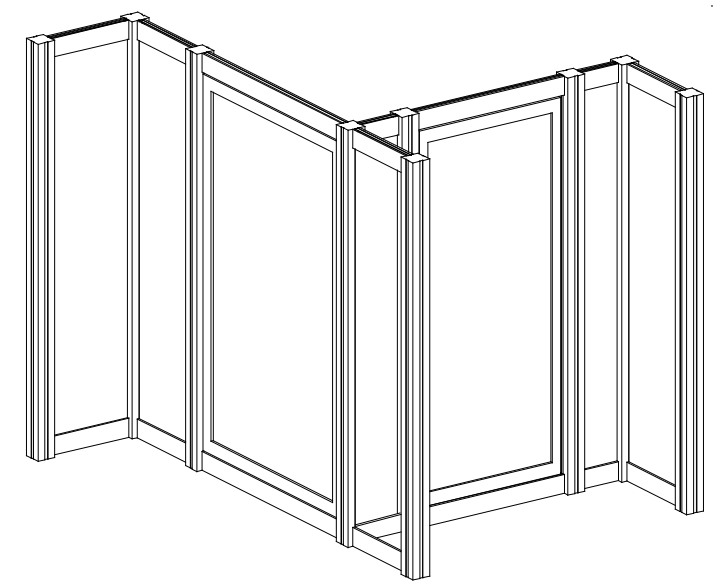


Level 5

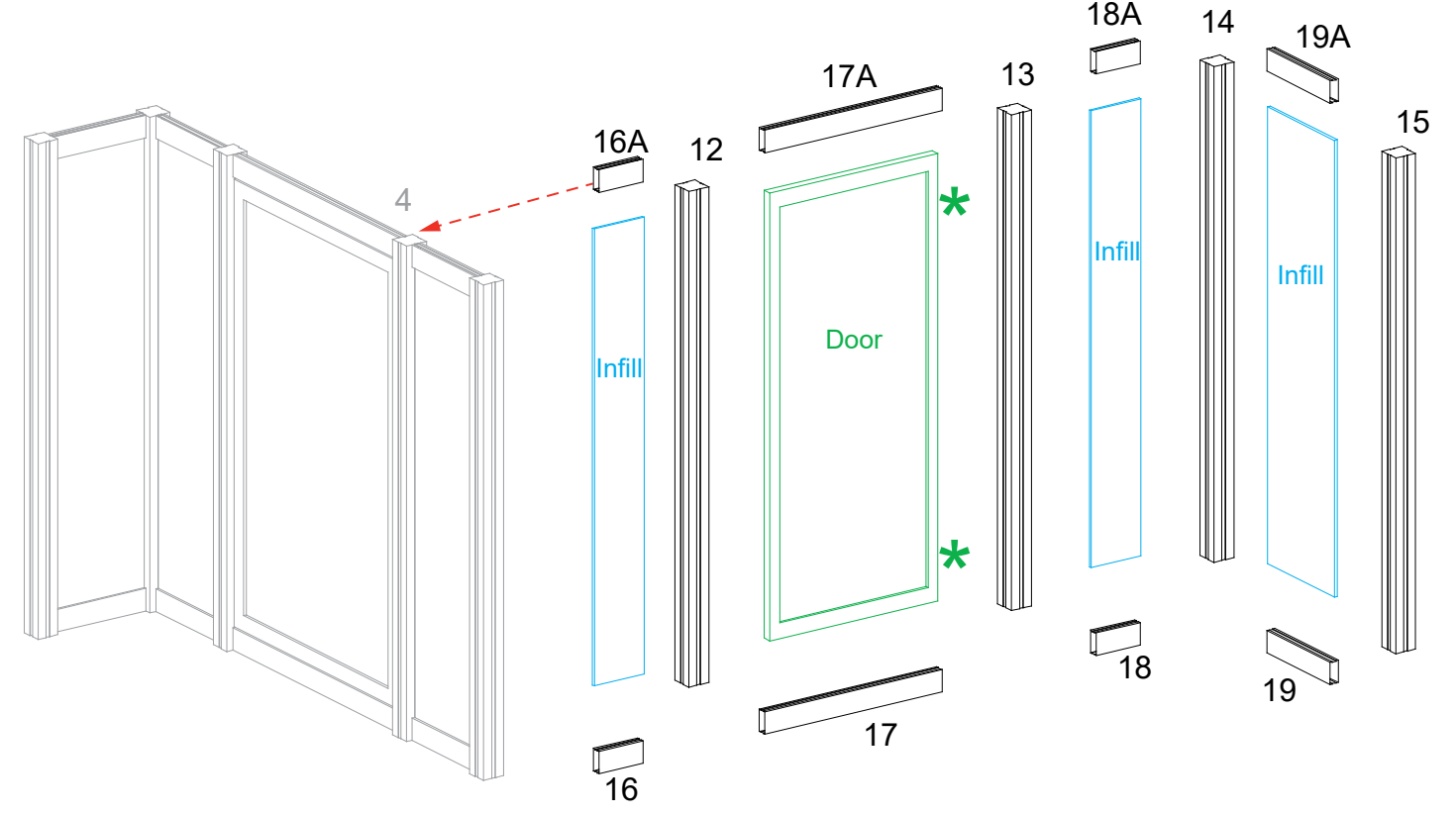
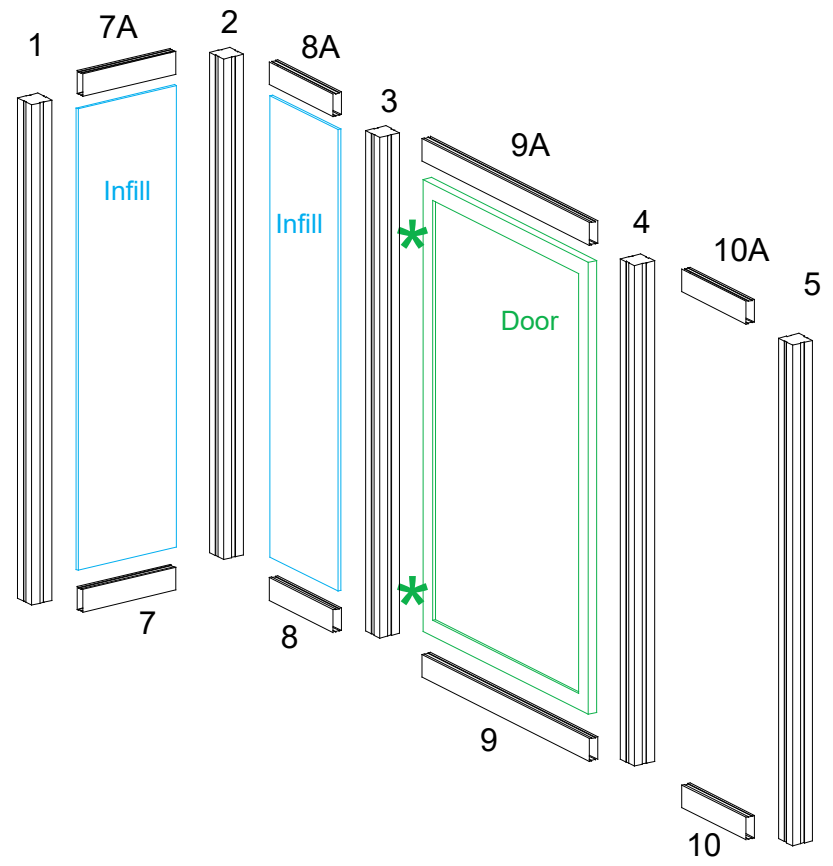
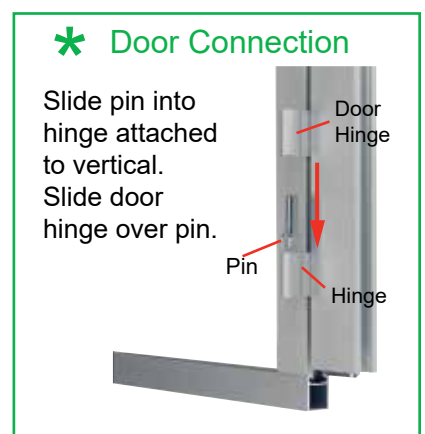


Item	Qty.	Description
1	1	39.5" S44 Vertical Extrusion
2	1	39.5" S44 Vertical Extrusion
3	1	39.5" S44 Vertical Extrusion
4	1	39.5" S44 Vertical Extrusion
5	1	39.5" S44 Vertical Extrusion
7,7A	1,1	8.341" Z45 Horizontal Extrusion
8,8A	1,1	8.341" Z45 Horizontal Extrusion
9,9A	1,1	21.825" Z45 Horizontal Extrusion
10,10A	1,1	8.341" Z45 Horizontal Extrusion
12	1	39.5" S44 Vertical Extrusion
13	1	39.5" S44 Vertical Extrusion
14	1	39.5" S44 Vertical Extrusion
15	1	39.5" S44 Vertical Extrusion
16,16A	1,1	4" Z45 Horizontal Extrusion
17,17A	1,1	16.067" Z45 Horizontal Extrusion
18,18A	1,1	4" Z45 Horizontal Extrusion
19,19A	1,1	8.341" Z45 Horizontal Extrusion

- Steps:
- 1) Assemble lower horizontals [7,8,9,10] between verticals [1,2,3,4,5].
 - 2) Slide **Infills** between verticals as shown.
 - 3) Attach upper horizontals [7A,8A,9A,10A], securing **infills**.
 - 4) Connect lower horizontals [16,17,18,19] between verticals [4,12,13,14,15].
 - 5) Slide **Infills** between verticals.
 - 6) Secure **Infills** with upper horizontals [16A,17A,18A,19A].
 - 7) Connect doors to vertical [3] and [13]. See **Door Connection** detail.



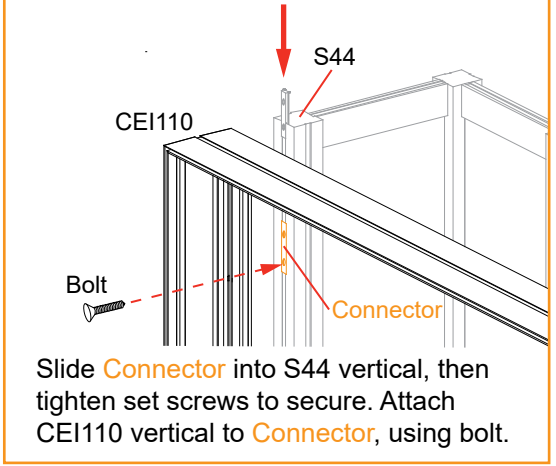
When assembled



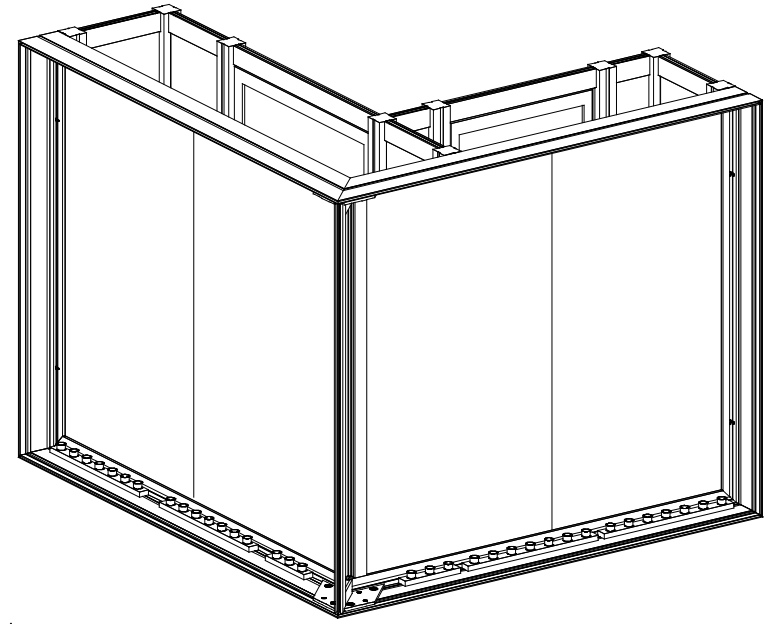
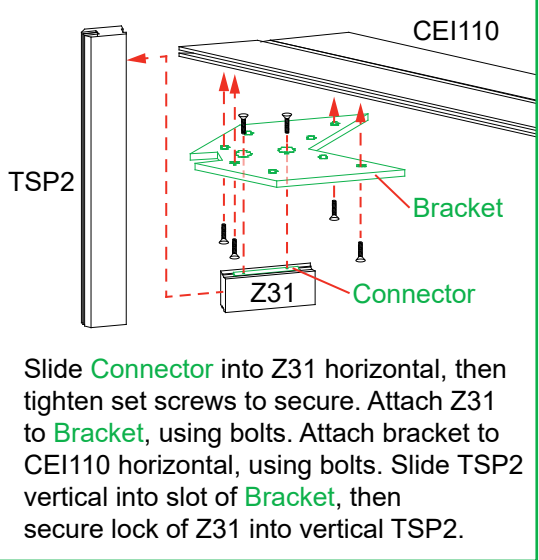
Item	Qty.	Description
11,11A	1,1	35.853" h Z33 Vertical Extrusion
20	1	38.752" TSP2 Vertical Extrusion
21,21A	1,1	3.193" Z31 Horizontal Extrusion
22	1	39.5" CEI110 Vertical Extrusion
23,23A	1,1	47.75" CEI110 Horizontal Extrusion
24	1	39.5" CEI110 Vertical Extrusion
25,25A	1,1	50.037" CEI110 Horizontal Extrusion

- Steps:
- 1) Connect horizontals [23] and [23A] to vertical [22] and horizontals [25] and [25A] to vertical [24] See CEI110 Frame Assembly sheet for instruction.
 - 2) Attach assembled frames to verticals [1] and [15], as shown. See **Frame to Assembly Attachment** detail.
 - 3) Slide 2-part **Infills** into back of both assembled CEI110 frames & secure with verticals [11] & [11A].
 - 4) Assemble horizontals [21,21A] & two brackets to vertical [20], then attach brackets to CEI110 corners [23/25] & [23A/25A], inserting **Infill**. See **Z45 & Bracket Connection** detail.

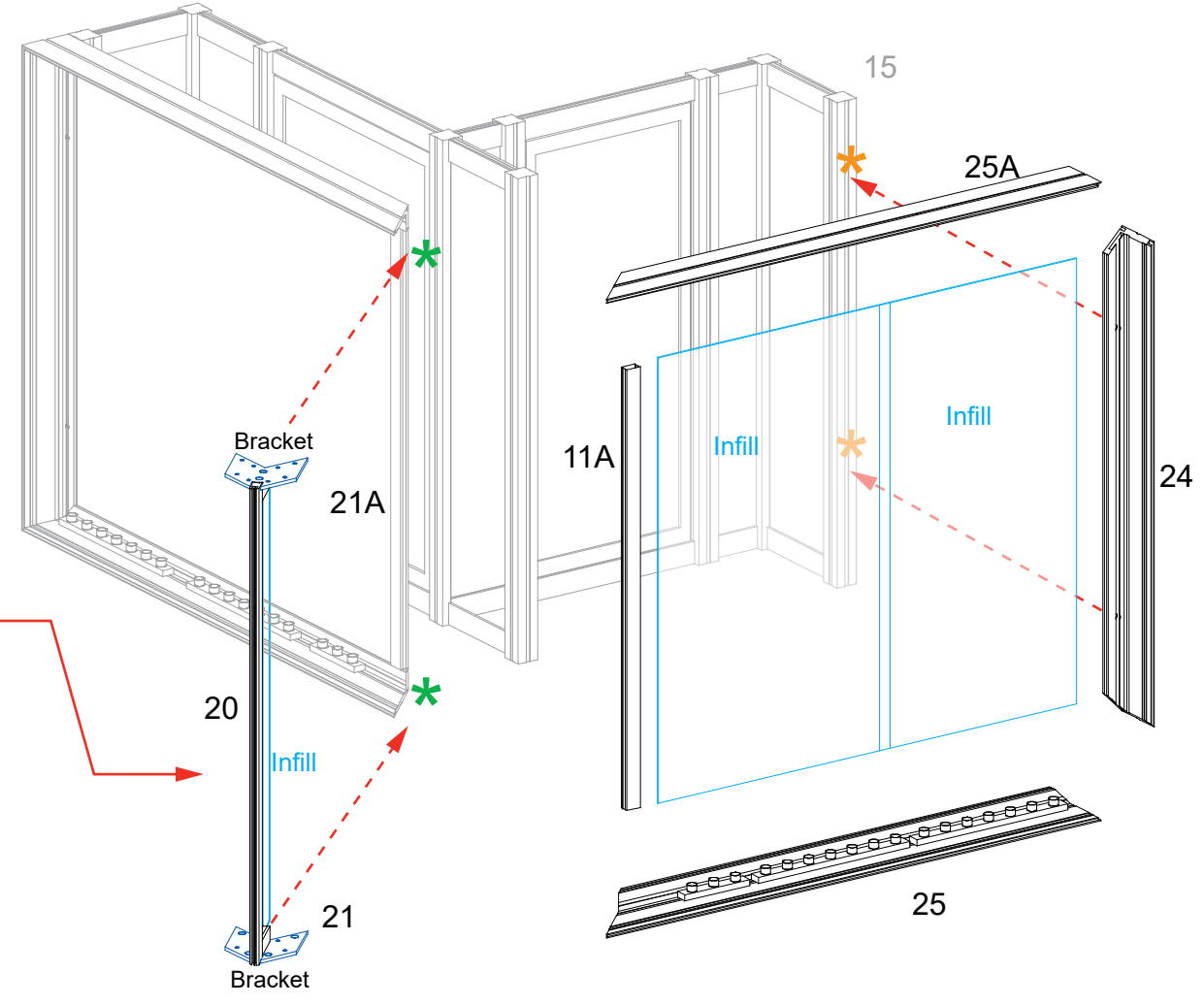
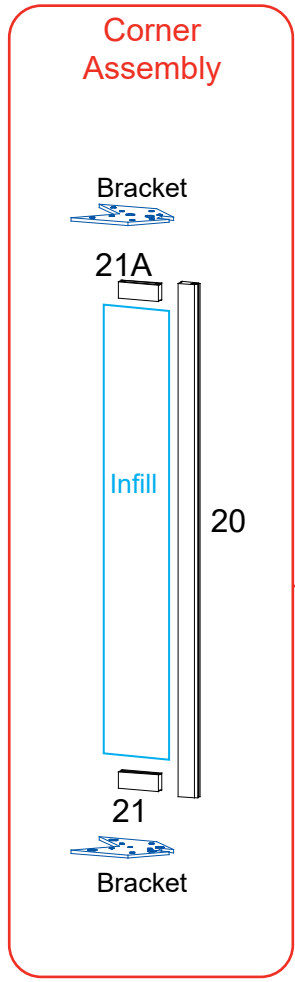
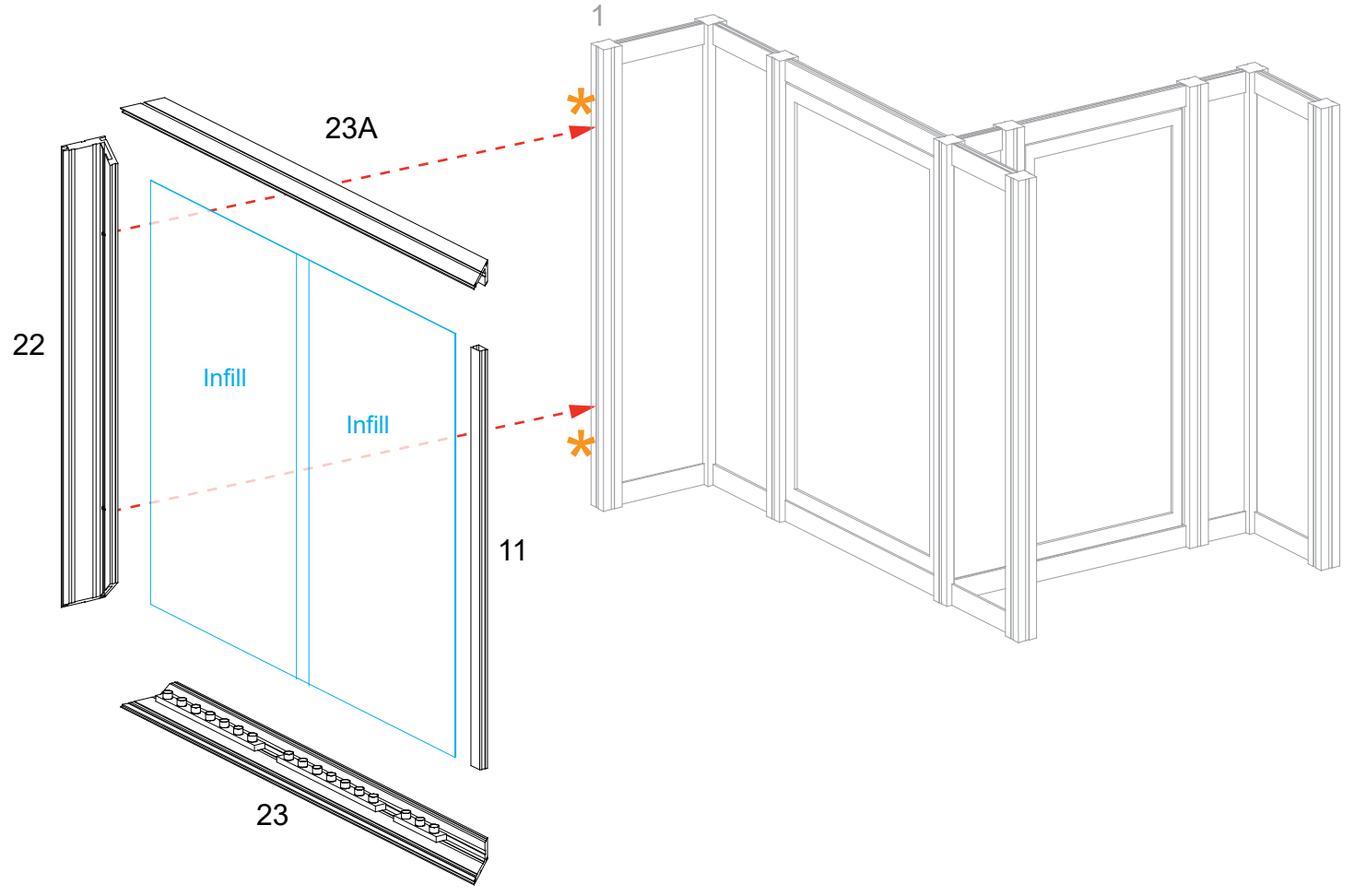
*** Frame to Assembly Attachment**



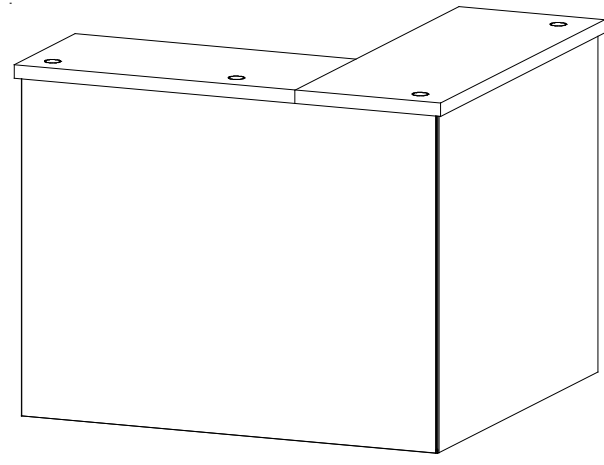
*** Z31 & Bracket Connection**



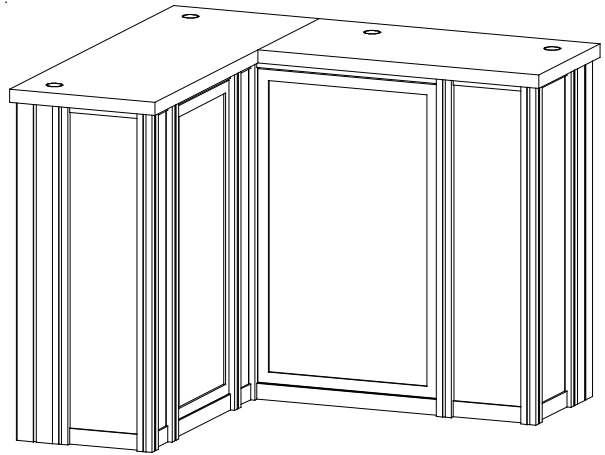
When assembled



- Steps:
- 1) Connect lighting power cords and attach transformers. See [Light to Light Connection](#) and [Light to Transformer Connection](#) details.
 - 2) Place shelves onto pins. See [Shelf Pin](#) detail.
 - 3) Install SEG graphics to front of assembled frames. See [SEG Graphic Installation](#) detail.
 - 4) Place counter top on top of assembled counter base. See [Counter Top Attachment](#) detail.
 - 5) Connect power cords to chargers in counter top.

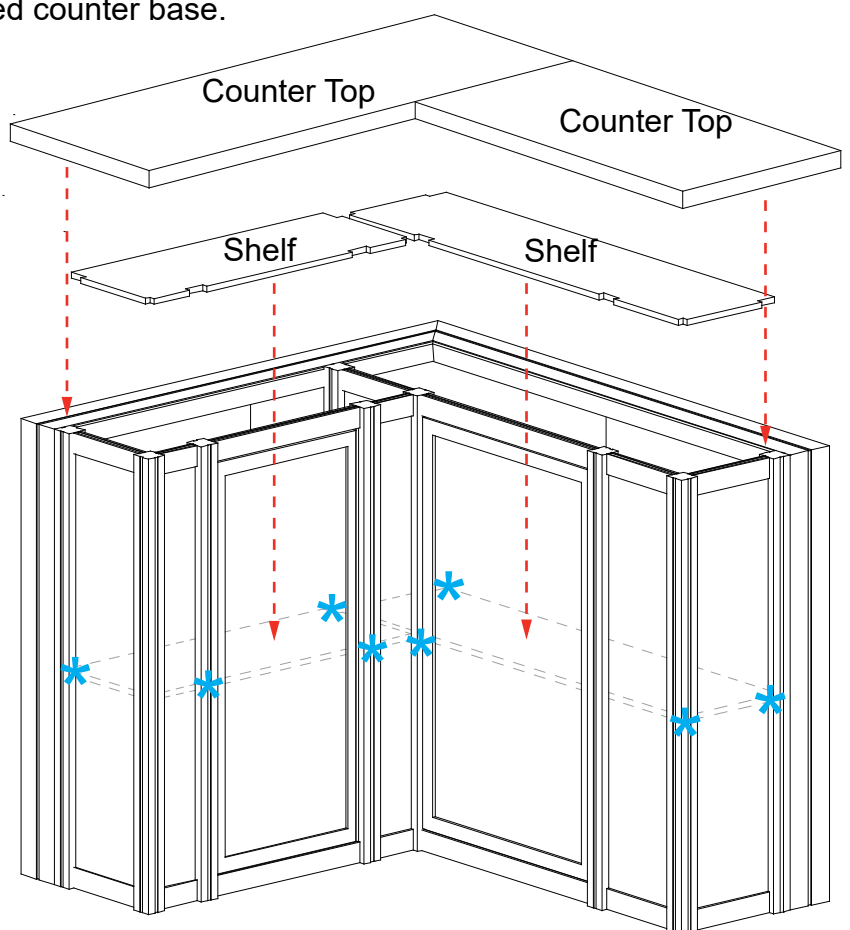


FRONT VIEW

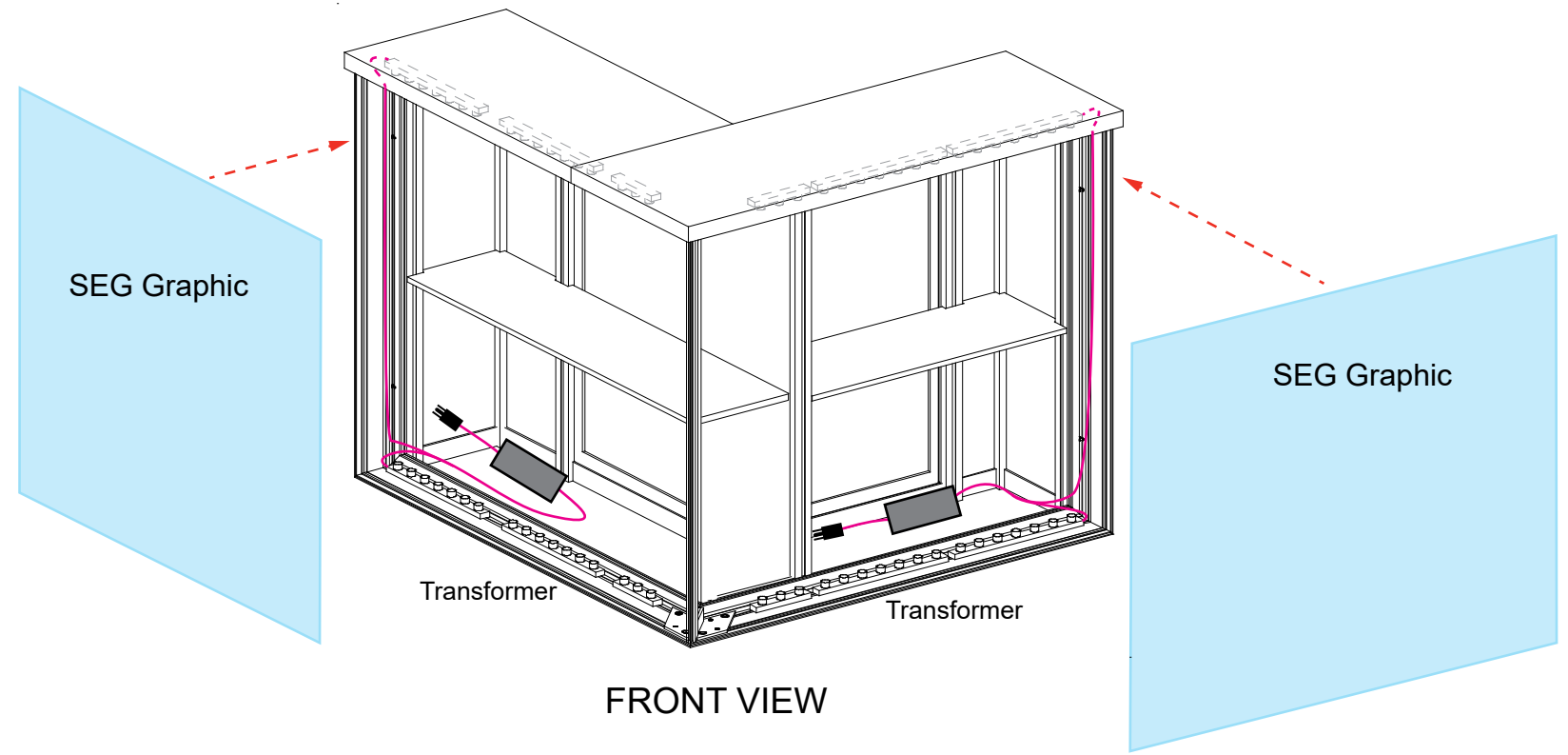


BACK VIEW

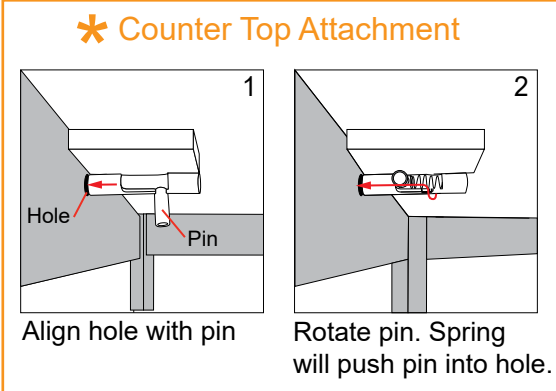
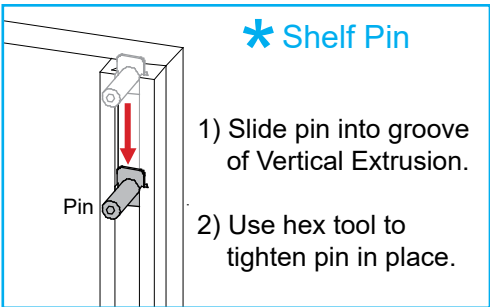
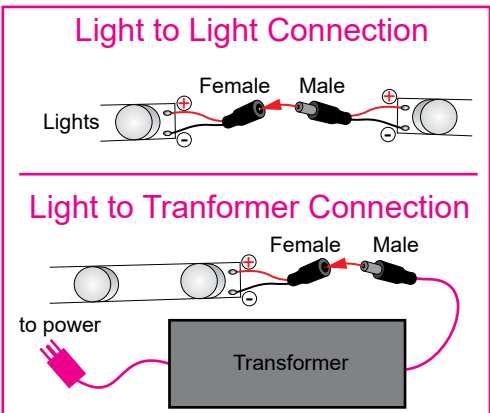
Completed Assembly



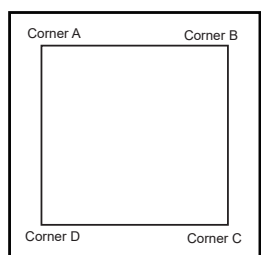
BACK VIEW



FRONT VIEW



SEG Graphic Installation



It is important to first insert graphic into each alternate corner then to the sides of the frame. If this is not done, graphic will not fit into the frame correctly.



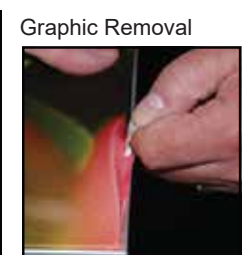
Step 1
Insert corner A. Turn edge of graphic so silicon welt is perpendicular to face of graphic. Insert narrow side of welt with fabric to outside into the channel. Repeat for other side of this corner.



Step 2
Repeat Step 1 for opposite corner C, then insert corner B, followed by corner D, to complete the installation of the corners.



Step 3
Once all corners are inserted, press one silicon edge into channel from corners and work toward the center. Make sure welt is fully inserted into channel. Continue until all sides are done. Smooth out edges of graphic.



Graphic Removal
To remove the graphic from the frame, locate the fabric pull tab. Gently pull up on the tab to remove the fabric.